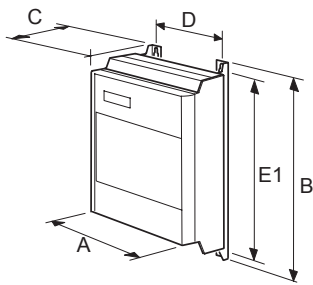


# INSTALLING THE CONVERTER

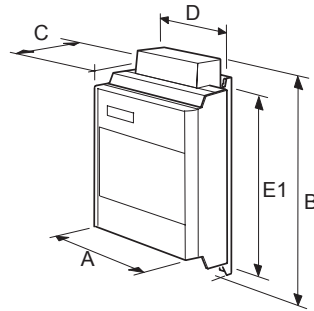
**IMPORTANT:** Read Chapter 12: "Certification for the Converter" before installing this unit.

Refer to Installation Drawings, page 3-20 for further information.

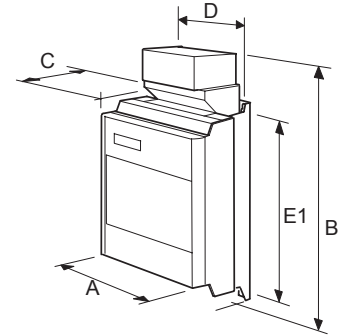
## Mechanical Installation



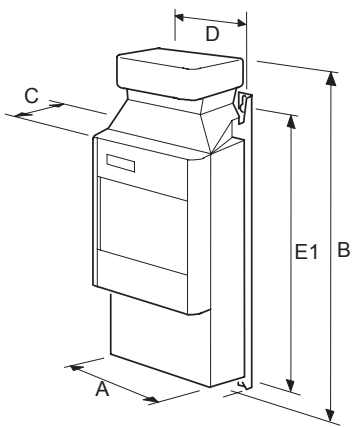
35A - 70A



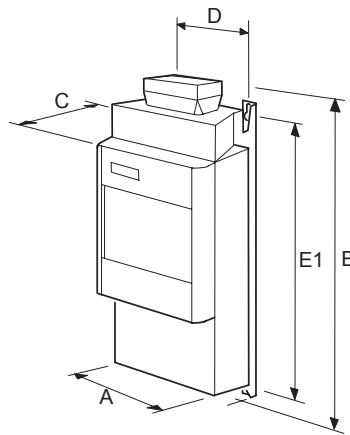
110A - 150A



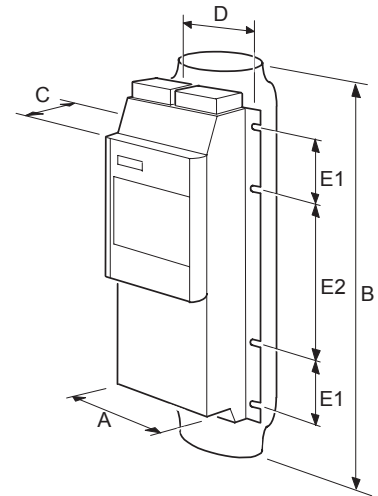
180A - 270A



360A



450A \*



720A - 800A \*

\* Cooling fan assemblies not shown

Current Rating (A)	Model	Overall Dimensions			Fixing Centres		
		A	B	C	D	E1	E2
35 - 70	590D/591D	250	415	180	200	400	-
110 - 150	590D/591D	250	445	180	200	400	-
180	590D/591D	250	555	180	200	400	-
270	590D/591D	300	500	210	200	400	-
360 & 450	590D/591D	322	705	252	200	600	-
720 & 800	590D/591D	370	930	330	300	133	400

*Dimensions are in millimetres*