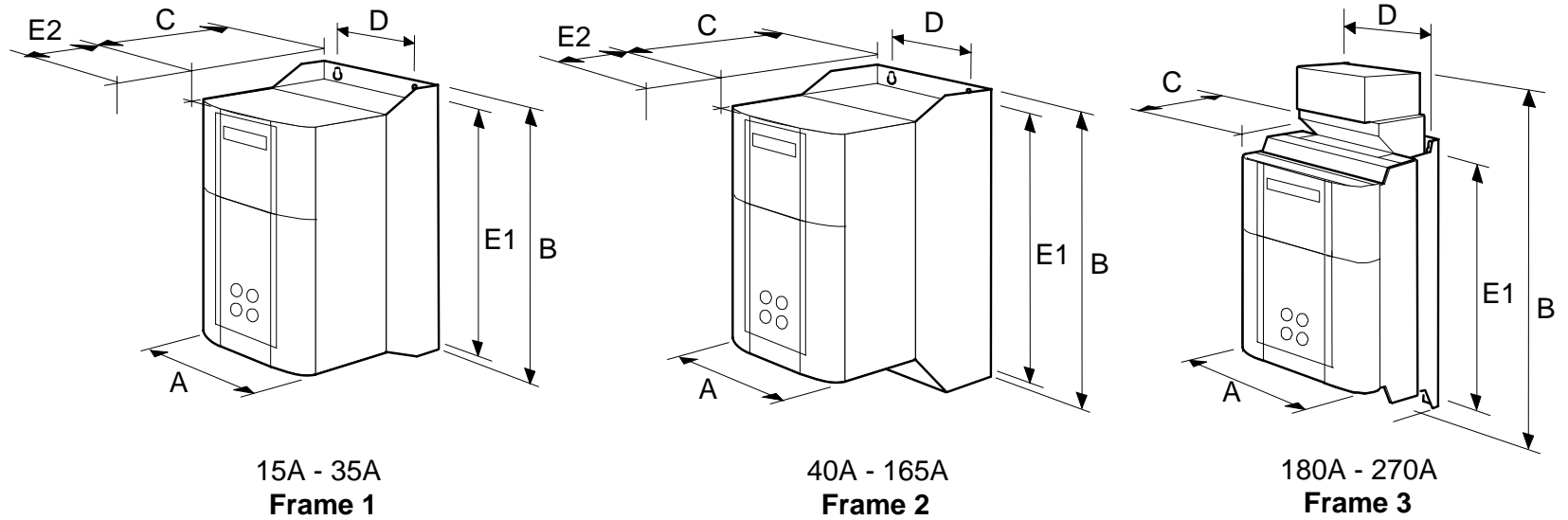
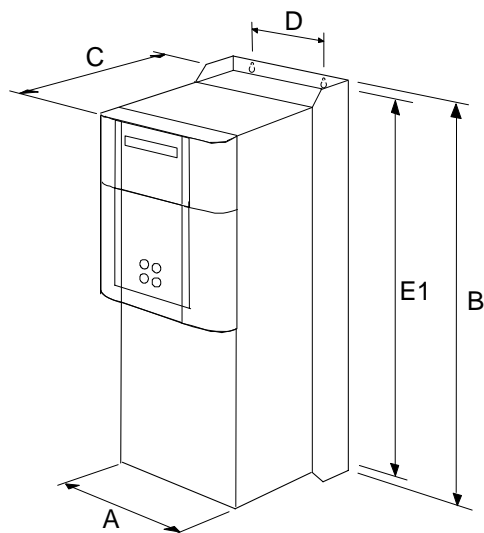


3-2 Installing the Drive

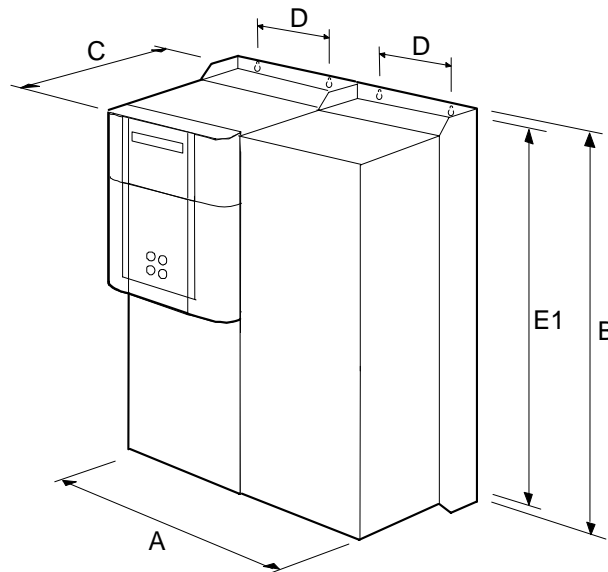


Current Rating (A)	Weight in Kg (lbs)	Overall Dimensions			Fixing Centres	
		A	B	C	D	E1
15 - 35	6.4 (14)	200 (7.9)	375 (14.8)	220 (8.7)	140 (5.5)	360 (14.2)
40 - 165	10.5 (23)	200 (7.9)	434 (17.1)	292 (11.5)	140 (5.5)	418 (16.5)
180	20 (44)	250 (9.8)	485 (19.1)	234 (9.2)	200 (7.9)	400 (15.7)
270	20 (44)	300 (11.8)	485 (19.1)	234 (9.2)	200 (7.9)	400 (15.7)

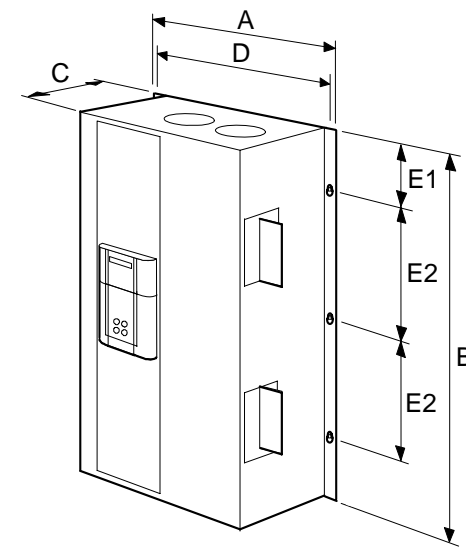
Dimensions are in millimetres (inches)
Refer to "Installation Drawings", page 3-75.



380A - 830A
Frame 4
 (vent kit assemblies not shown)



1580A
Frame 5
 (vent kit assemblies not shown)

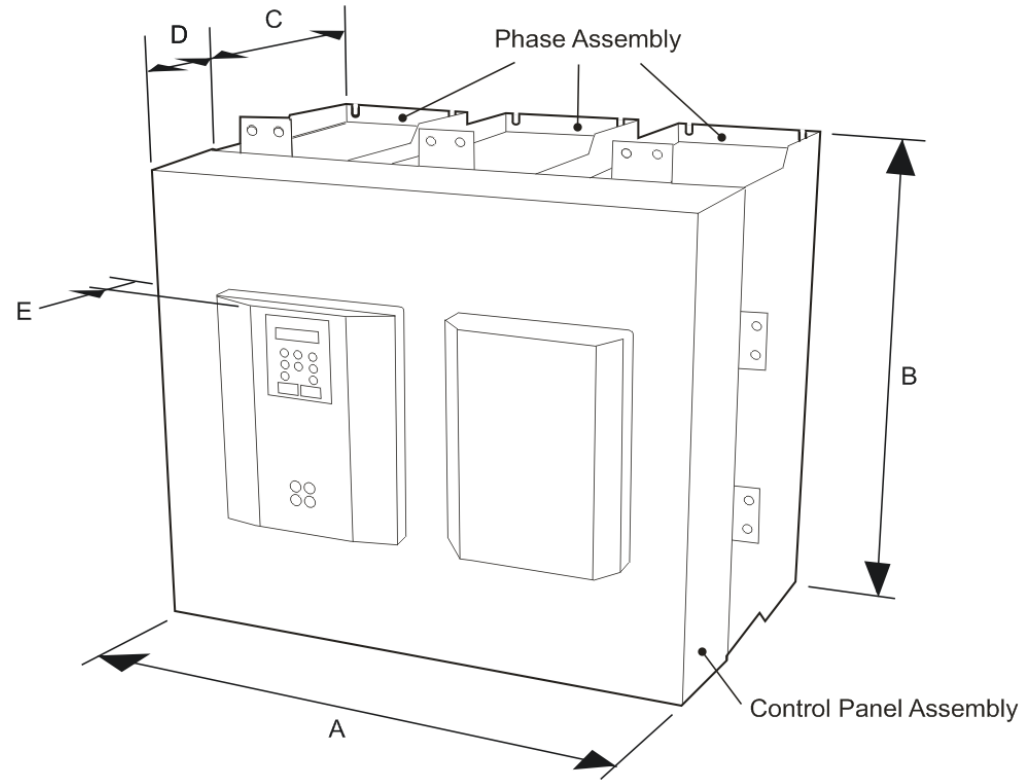


1200A - 2700A
Frame H

Current Rating (A)	Weight Kg (lbs)	Overall Dimensions			Fixing Centres		
		A	B	C	D	E1	E2
380	32 (71)	253 (10.0)	700 (27.6)	358 (14.2)	150 (5.9)	680 (26.8)	-
500	32 (71)	253 (10.0)	700 (27.6)	358 (14.2)	150 (5.9)	680 (26.8)	-
725	44 (97)	253 (10.0)	700 (27.6)	358 (14.2)	150 (5.9)	680 (26.8)	-
830	44 (97)	253 (10.0)	700 (27.6)	358 (14.2)	150 (5.9)	680 (26.8)	-
1580	90 (200)	506 (20.0)	700 (27.6)	358 (14.2)	150 (5.9)	680 (26.8)	-
1200 - 2700	See *	850 (33.5)	1406 (55.3)	417 (16.4)	810 (31.9)	78 (3.1)	4 x 400 (15.7)
1200 - 2700	See *	850 (33.5)	956 (37.6)	417 (16.4)	810 (31.9)	78 (3.1)	3 x 400 (15.7)

*590+ drive weighs 270Kg (595.4 lbs) without packaging and fan assembly
 591+ drive weighs 160kg (352.8 lbs) without packaging and fan assembly
 Fan weighs 18.5Kg (40.8 lbs)
 Dimensions are in millimetres (inches)
 Refer to "Installation Drawings", page 3-75.

3-4 Installing the Drive



1250 - 1950A
Frame 6

A	B	C	D	E	
686 (27.00)	715 (28.15)	378 (14.88)	62 (2.44)	57 (2.24)	
<i>Dimensions are in millimetres (inches)</i>					
Weights: Control Panel Assembly Regen Phase Assembly (4Q) Non-Regen Phase Assembly (2Q)		11.25kg (25 lbs) 33kg (73 lbs) each 28kg (62 lbs) each	The DC590+ Frame 6 drive is assembled <i>in-situ</i> . Refer to "Frame 6: Assembly and Installation" page 3-63 for detailed build instructions.		