

Compax3S Installation Manual

Single axis devices

Paper version

**C3Manager-Compax3S**

Unterlagen / Software
user guides / tools
manuels / tools:

- ◆ Compax3 - DVD (english, deutsch, français)
- +
- ◆ StartUp Guide (english / deutsch)
- ◆ Compax3S Installations-Handbuch deutsch
- ◆ Compax3S Installation Manual english
- ◆ Manuel technique Compax3S français

Release as from R09-63

192-120102 N19
June 2014

Windows NT®, Windows 2000™, Windows XP™, Windows Vista, Windows 7 are trademarks of Microsoft Corporation.

Nonwarranty clause

We checked the contents of this publication for compliance with the associated hard and software. We can, however, not exclude discrepancies and do therefore not accept any liability for the exact compliance. The information in this publication is regularly checked, necessary corrections will be part of the subsequent publications.

Production site:



Parker Hannifin Manufacturing Germany GmbH & Co. KG
Electromechanical Automation Europe [EME]
Robert-Bosch-Strasse 22
77656 Offenburg (Germany)
Tel.: + 49 (0781) 509-0
Fax: + 49 (0781) 509-98176
Internet: www.parker.com/eme <http://www.parker.com/eme>
E-mail: sales.automation@parker.com <mailto:EM-Motion@parker.com>

Parker Hannifin GmbH - registered office: Bielefeld HRB 35489
Management Board: Ellen Raahede Secher, Dr.-Ing. Gerd Scheffel, Günter Schrank, Kees Veraart - Vorsitzender des Aufsichtsrates:
Hansgeorg Greuner

Italy: Parker Hannifin Manufacturing Srl • SSD SBC • Electromechanical Automation • Via Gounod, 1
I-20092 Cinisello Balsamo (MI), Italy
Tel.: +39 (0)2 361081 • Fax: +39 (0)2 36108400
E-mail: sales.automation@parker.com <mailto:sales.sbc@parker.com> • Internet:
www.parker.com/eme <http://www.parker.com/eme>

USA: Parker Hannifin Corporation • Electromechanical Automation
5500 Business Park Drive • Rohnert Park, CA 94928
Phone #: (800) 358-9068 • FAX #: (707) 584-3715
E-mail: CMR_help@parker.com mailto:emn_support@parker.com • Internet:
www.compumotor.com <http://www.compumotor.com>
Our product on the Internet: <http://www.parker.com/eme/c3>

1. Notes on the Documents Supplied

Compax3 - Installation Manual

The present manual contains the installation instructions for the associated **Compax3 device series** (see on page 6).

This installation manual does contain only the basic information; for more detailed information please refer to the Help-files of the individual Compax3 device types.

C3 ServoManager

Compax3 - DVD

The enclosed self-starting* DVD contains the "C3 ServoManager" software tool for configuring, optimizing etc. Compax3.
Please use always the latest C3 ServoManager version.

Parker Integrated Engineering Tool

Furthermore, the "Parker Integrated Engineering Tool", a software tool for the project management of several Parker Motion Control products, can be found on the C3 DVD.

Several axes are managed in a common project. The Compax3 ServoManager is integrated per "Plug & Play" for each Compax3 axis. The configuration, optimization,.. take place in the same way as in an independently working C3 ServoManager.

The "C3 ServoManager" software tool is also functioning independently from the Parker Integrated Engineering Tool!

Online help system

After the installation of the ServoManager you can copy the desired Online help system with the "C3 ServoManager Help Installer" (you can select the C3 device type as well as the desired language) to your PC. The help system can be called up directly from the ServoManager. You will find the complete description of the selected device type in these online help files.
Please note that the help files are associated with defined device and software versions.

Adobe Acrobat Reader®

For reading PDF files you need the "Adobe Acrobat Reader", a software tool which is available free of charge. It is distributed and generally accepted throughout the world. You can also download it directly from the Adobe website.

NOTICE

Status of the Manuals:

Help and PDFs are updated simultaneously. In case of doubt the HTML help shows the actual state in comparison to PDF edition.
For additional HTML help please refer to our website.

* if your PC has not been set up accordingly, start the "start.htm" file

1.1 C3 ServoManager

Installation of the C3 ServoManager

The Compax3 ServoManager can be installed directly from the Compax3 DVD. Click on the corresponding hyperlink resp. start the installation program "C3Mgr_Setup_V.....exe" and follow the instructions.

PC requirements

Recommendation:

Operating system: MS Windows XP SP3 / MS Vista (32 Bit) / Windows 7 (32 Bit / 64 Bit)
Browser: MS Internet Explorer 8.x or higher
Processor: Intel / AMD Multi core processor >=2GHz
RAM memory: >= 1024MB
Hard disk: >= 20GB available memory
Drive: DVD drive (for installation)
Monitor: Resolution 1024x768 or higher
Graphics card: on onboard graphics (for performance reasons)
Interface: USB 2.0

Minimum requirements:

Operating system: MS Windows XP SP2 / MS Windows 2000 as from SP4
Browser: MS Internet Explorer 6.x
Processor: >=1.5GHz
RAM memory: 512MB
Hard disk: 10GB available memory
Drive: DVD drive
Monitor: Resolution 1024x768 or higher
Graphics card: on onboard graphics (for performance reasons)
Interface: USB

Note:

- ◆ For the installation of the software you need administrator authorization on the target computer.
- ◆ Several applications running in parallel, reduce the performance and operability.
- ◆ Especially customer applications, exchanging standard system components (drivers) in order to improve their own performance, may have a strong influence on the communication performance or even render normal use impossible.
- ◆ Operation under virtual machines such as Vware Workstation 6/ MS Virtual PC is not possible.
- ◆ Onboard graphics card solutions reduce the system performance by up to 20% and cannot be recommended.
- ◆ Operation with notebooks in current-saving mode may lead, in individual cases, to communication problems.

Connection between PC and Compax3

Your PC is connected with Compax3 via a RS232 cable (SSK1). Start the Compax3 ServoManager and make the setting for the selected interface in the "**Options Communication settings RS232/RS485...**" menu.

Device Selection

In the menu tree under device selection you can read the device type of the connected device (Online Device Identification) or select a device type (Device Selection Wizard).

Configuration

Then you can double click on "Configuration" to start the configuration wizard. The wizard will lead you through all input windows of the configuration.

Contents

1. Notes on the Documents Supplied	3
1.1 C3 ServoManager.....	4
2. Introduction	6
2.1 Device assignment	6
2.2 Scope of delivery	6
2.3 Type specification plate	7
2.4 Packaging, transport, storage	8
2.5 Safety instructions.....	9
2.5.1. General hazards.....	9
2.5.2. Safety-conscious working	9
2.5.3. Special safety instructions	10
2.6 Warranty conditions	11
2.7 Conditions of utilization	12
2.7.1. Conditions of utilization for CE-conform operation.....	12
2.7.2. Conditions of utilization for UL certification Compax3S.....	14
2.7.3. Current on the mains PE (leakage current).....	15
2.7.4. Supply networks	15
2.8 EC declaration of conformity	16
3. Compax3 device description	17
3.1 State of delivery	17
3.2 Meaning of the status LEDs - Compax3 axis controller	17
3.3 Mounting and dimensions.....	18
3.3.1. Mounting and dimensions Compax3S0xxV2	18
3.3.2. Mounting and dimensions Compax3S100V2 and S0xxV4.....	19
3.3.3. Mounting and dimensions Compax3S150V2 and S150V4.....	20
3.3.4. Mounting and dimensions Compax3S300V4.....	21
3.4 Connections of Compax3S	22
3.4.1. Compax3S connectors.....	22
3.4.2. Connector and pin assignment C3S.....	23
3.4.3. Control voltage 24VDC / enable connector X4 C3S	25
3.4.4. Motor / Motor brake C3S connector X3	26
3.4.5. Compax3Sxxx V2.....	27
3.4.6. Compax3Sxxx V4.....	29
3.5 Signal interfaces	31
3.5.1. RS232 / RS485 interface (plug X10)	31
3.5.2. Resolver / Feedback (connector X13).....	32
3.5.3. Analogue / encoder (plug X11).....	34
3.5.4. Digital inputs/outputs (plug X12)	35
3.5.5. Optional input/output cards.....	36
4. Technical Characteristics	39
5. Index.....	44

2. Introduction

In diesem Kapitel finden Sie

Device assignment	6
Scope of delivery	6
Type specification plate	7
Packaging, transport, storage	8
Safety instructions	9
Warranty conditions	11
Conditions of utilization	12
EC declaration of conformity	16

2.1 Device assignment

This manual is valid for the following devices:

- ◆ Compax3S025V2 + supplement
- ◆ Compax3S063V2 + supplement
- ◆ Compax3S100V2 + supplement
- ◆ Compax3S150V2 + supplement
- ◆ Compax3S015V4 + supplement
- ◆ Compax3S038V4 + supplement
- ◆ Compax3S075V4 + supplement
- ◆ Compax3S150V4 + supplement
- ◆ Compax3S300V4 + supplement

2.2 Scope of delivery

The following items are furnished with the device:

- ◆ Manuals*
 - ◆ Installation manual (German, English, French)
 - ◆ Compax3 DVD
 - ◆ Startup Guide (German / English)
- *Comprehensiveness of documentation depends on device type
- ◆ Device accessories
 - Device accessories for Compax3S
 - ◆ Cable clamps in different sizes for large area shielding of the motor cable, the screw for the cable clamp as well as
 - ◆ the mating plug connectors for the Compax3S plug connectors X1, X2, X3, and X4
 - ◆ a toroidal core ferrite for one cable of the motor holding brake
 - ◆ Lacing cord

2.3 Type specification plate

Compax3 - Type specification plate (example):

The present device type is defined by the type specification plate (on the housing):



Explanation:

1	Type designation: The complete order designation of the device (2, 5, 6, 9, 8).
2	C3: Abbreviation for Compax3
	S025: Single axis device, nominal device current in 100mA (025=2.5A) M050: Multi-axis device, nominal device current in 100mA (050=5A) H050: High power device, nominal device current in 1A (050=50A)
3	D6: Designation nominal supply V2: Mains supply voltage (2=230VAC/240VAC, 4=400VAC/480VAC)
	Unique number of the particular device
4	Nominal supply voltage Power Input: Input supply data Power Output: Output data
5	Designation of the feedback system F10: Resolver F11: SinCos® / Single- or Multiturn F12: Feedback module for direct drives
6	Device interface I10: Analog, step/direction and encoder input I11 / I12: Digital Inputs / Outputs and RS232 / RS485 I20: Profibus DP / I21: CANopen / I22: DeviceNet / I30: Ethernet Powerlink / I31: EtherCAT / I32: Profinet C20: integrated controller C3 <i>powerPLmC</i> , Linux & Web server
7	Date of factory test
8	Options Mxx: I/O extension, HEDA Sx: optional safety technology on C3M
9	Technology function T10: Servo controller T11: Positioning T20: Pressure / Volume flow rate T30: Motion control in accordance with IEC61131-3 T40: Electronic cam
10	CE compliance
11	Certified safety technology (corresponding to the logo displayed)
12	UL certified (corresponding to the logo displayed)

2.4 Packaging, transport, storage

Packaging material and transport



Caution!

The packaging material is inflammable, if it is disposed of improperly by burning, lethal fumes may develop.

The packaging material must be kept and reused in the case of a return shipment. Improper or faulty packaging may lead to transport damages.

Make sure to transport the drive always in a safe manner and with the aid of suitable lifting equipment (**Weight** (see on page 39)). Do never use the electric connections for lifting. Before the transport, a clean, level surface should be prepared to place the device on. The electric connections may not be damaged when placing the device.

First device checkup

- ◆ Check the device for signs of transport damages.
- ◆ Please verify, if the indications on the **Type identification plate** (see on page 7) correspond to your requirements.
- ◆ Check if the consignment is complete.

Disposal

This product contains materials that fall under the special disposal regulation from 1996, which corresponds to the EC directory 91/689/EEC for dangerous disposal material. We recommend to dispose of the respective materials in accordance with the respectively valid environmental laws. The following table states the materials suitable for recycling and the materials which have to be disposed of separately.

Material	suitable for recycling	Disposal
Metal	yes	no
Plastic materials	yes	no
Circuit boards	no	yes

Please dispose of the circuit boards according to one of the following methods:

- ◆ Burning at high temperatures (at least 1200°C) in an incineration plant licensed in accordance with part A or B of the environmental protection act.
- ◆ Disposal via a technical waste dump which is allowed to take on electrolytic aluminum condensers. Do under no circumstances dump the circuit boards at a place near a normal waste dump.

Storage

If you do not wish to mount and install the device immediately, make sure to store it in a dry and clean **environment** (see on page 43). Make sure that the device is not stored near strong heat sources and that no metal shavings can get into the device.

Please note in the event of storage >1 year:

Forming the capacitors

Forming the capacitors only required with 400VAC axis controllers and PSUP mains module

If the device was stored longer than one year, the intermediate capacitors must be re-formed!

Forming sequence:

- ◆ Remove all electric connections
- ◆ Supply the device with 230VAC single phase for 30 minutes
 - ◆ via the L1 and L2 terminals on the device or
 - ◆ multi axis devices via L1 and L2 on the PSUP mains module

2.5 Safety instructions

[In diesem Kapitel finden Sie](#)

General hazards	9
Safety-conscious working	9
Special safety instructions	10

2.5.1. General hazards

General Hazards on Non-Compliance with the Safety Instructions

The device described in this manual is designed in accordance with the latest technology and is safe in operation. Nevertheless, the device can entail certain hazards if used improperly or for purposes other than those explicitly intended. Electronic, moving and rotating components can

- ◆ constitute a hazard for body and life of the user, and
- ◆ cause material damage

Designated use

The device is designed for operation in electric power drive systems (VDE0160). Motion sequences can be automated with this device. Several motion sequences can be combined by interconnecting several of these devices. Mutual interlocking functions must be incorporated for this purpose.

2.5.2. Safety-conscious working

This device may be operated only by qualified personnel.

Qualified personnel in the sense of these operating instructions consists of:

- ◆ Persons who, by virtue to their training, experience and instruction, and their knowledge of pertinent norms, specifications, accident prevention regulations and operational relationships, have been authorized by the officer responsible for the safety of the system to perform the required task and in the process are capable of recognizing potential hazards and avoiding them (definition of technical personnel according to VDE105 or IEC364),
- ◆ Persons who have a knowledge of first-aid techniques and the local emergency rescue services.
- ◆ persons who have read and will observe the safety instructions.
- ◆ Those who have read and observe the manual or help (or the sections pertinent to the work to be carried out).

This applies to all work relating to setting up, commissioning, configuring, programming, modifying the conditions of utilization and operating modes, and to maintenance work.

This manual and the help information must be available close to the device during the performance of all tasks.

2.5.3. Special safety instructions



Caution!

Due to movable machine parts and high voltages, the device can pose a lethal danger. Danger of electric shock in the case of non-respect of the following instructions. The device corresponds to DIN EN 61800-3, i.e. it is subject to limited sale. The device can emit disturbances in certain local environments. In this case, the user is liable to take suitable measures.

- ◆ Check that all live terminals are secured against contact. Perilous voltage levels of up to 850V occur.
- ◆ Do not bypass power direct current



Caution!

Due to movable machine parts and high voltages, the device can pose a lethal danger. Danger of electric shock in the case of non-respect of the following instructions. The device corresponds to DIN EN 61800-3, i.e. it is subject to limited sale. The device can emit disturbances in certain local environments. In this case, the user is liable to take suitable measures.

- ◆ The device must be permanently grounded due to high earth leakage currents.
- ◆ The drive motor must be grounded with a suitable protective lead.
- ◆ The devices are equipped with high voltage DC condensers. Before removing the protective cover, the discharging time must be awaited. After switching off the supply voltage, it may take up to 10 minutes (with additional capacity modules it may take up to 30 minutes) to discharge the capacitors. Danger of electric shock in case of non respect.
- ◆ Before you can work on the device, the supply voltage must be switched off at the L1, L2 and L3 clamps. Wait at least 10 minutes so that the power direct current may sink to a secure value (<50V). Check with the aid of a voltmeter, if the voltage at the DC+ and DC- clamps has fallen to a value below 50V. Danger of electric shock in case of non respect.
- ◆ Do never perform resistance tests with elevated voltages (over 690V) on the wiring without separating the circuit to be tested from the drive.
- ◆ Please exchange devices only in currentless state and, in an axis system, only in a defined original state.
- ◆ If the axis controller is replaced, it is absolutely necessary to transfer the configuration determining the correct operation of the drive to the device, before the device is put into operation. Depending on the operation mode, a machine zero run will be necessary.
- ◆ The device contains electrostatically sensitive components. Please heed the electrostatic protection measures while working at/with the device as well as during installation and maintenance.
- ◆ Operation of the PSUP30 only with line choke.



Attention - hot surface!

The heat dissipater can reach very high temperatures (>70°C)

Protective seals



Caution!

The user is responsible for protective covers and/or additional safety measures in order to prevent damages to persons and electric accidents.

Please note in the event
of storage >1 year:

Forming the capacitors

**Forming the capacitors only required with 400VAC axis controllers and PSUP
mains module**

If the device was stored longer than one year, the intermediate capacitors must be re-formed!

Forming sequence:

- ◆ Remove all electric connections
- ◆ Supply the device with 230VAC single phase for 30 minutes
 - ◆ via the L1 and L2 terminals on the device or
 - ◆ multi axis devices via L1 and L2 on the PSUP mains module

2.6 Warranty conditions

- ◆ The device must not be opened.
- ◆ Do not make any modifications to the device, except for those described in the manual.
- ◆ Make connections to the inputs, outputs and interfaces only in the manner described in the manual.
- ◆ Fix the devices according to the **mounting instructions**. (see on page 18)
We cannot provide any guarantee for other mounting methods.

Note on exchange of options

Device options must be exchanged in the factory to ensure hardware and software compatibility.

- ◆ When installing the device, make sure the heat dissipators of the device receive sufficient air and respect the recommended mounting distances of the devices with integrated ventilator fans in order to ensure free circulation of the cooling air.
- ◆ Make sure that the mounting plate is not exposed to external temperature influences.

2.7 Conditions of utilization

[In diesem Kapitel finden Sie](#)

Conditions of utilization for CE-conform operation	12
Conditions of utilization for UL certification Compax3S	14
Current on the mains PE (leakage current)	15
Supply networks	15

2.7.1. Conditions of utilization for CE-conform operation

- Industry and trade -

The EC guidelines for electromagnetic compatibility 2004/108/EC and for electrical operating devices for utilization within certain voltage limits 2006/95/EC are fulfilled when the following boundary conditions are observed:

Operation of devices only in the state in which they are delivered.

In order to ensure contact protection, all mating plugs must be present on the device connections even if they are not wired.

Please respect the specifications of the manual, especially the technical characteristics (mains connection, circuit breakers, output data, ambient conditions,...).

2.7.1.1 Conditions of utilization mains filter

Mains filter: A mains filter is required in the mains input line if the motor cable exceeds a certain length. Filtering can be provided centrally at the system mains input or separately for each device.

Use of the devices in a commercial and residential area (limit value class in accordance with EN 61800-3)

The following mains filters are available for independent utilization:

Device: Compax3S	Limit value class	Motor cable length	Mains filter Order No.:
S0xxV2	C2	< 10 m	without
	C2	> 10 m, < 100 m	NFI01/01
S1xxV2, S0xxV4, S150V4	C2	< 10 m	without
	C2	> 10 m, < 100 m	NFI01/02
S300V4	C3	< 10 m	without
	C2, C3	> 10 m, < 100 m	NFI01/03

Connection length: Connection between mains filter and device:

unshielded: < 0.5 m

shielded < 5 (fully shielded on ground - e.g. ground of control cabinet)

2.7.1.2 Conditions of utilization for cables / motor filter

Operation of the devices only with motor and feedback cables whose plugs contain a special full surface area screening.

Compax3S motor cable

< 100 m (the cable should not be rolled up!)

A motor output filter is required for motor cables >20 m:

- ◆ MDR01/04 (max. 6.3 A rated motor current)
- ◆ MDR01/01 (max. 16 A rated motor current)
- ◆ MDR01/02 (max. 30 A rated motor current)

Shielding connection of the motor cable**Motor and Feedback cable:**

The cable must be fully-screened and connected to the Compax3 housing. Use the cable clamps/shield connecting terminals furnished with the device.

The shield of the cable must also be connected with the motor housing. The fixing (via plug or screw in the terminal box) depends on the motor type.

**Feedback cable
Compax3S, Compax3H &
Compax3F:
Cable**

< 100 m

Corresponding to the specifications of the terminal clamp with a temperature range of up to 60°C.

Cable installation:

- ◆ Signal lines and power lines should be installed as far apart as possible.
- ◆ Signal lines should never pass close to excessive sources of interference (motors, transformers, contactors etc.).
- ◆ Do not place mains filter output cable parallel to the load cable.

2.7.1.3 Additional conditions of utilization

Motors: Operation with standard motors.

Control: Use only with aligned controller (to avoid control loop oscillation).

Grounding: Connect the filter housing and the device to the cabinet frame, making sure that the contact area is adequate and that the connection has low resistance and low inductance.

Compax3S300V4

Never mount the filter housing and the device on paint-coated surfaces!

For CE and UL conform operation of the Compax3S300V4, a mains filter is compulsory:

- ◆ 400 VAC / 0.740 mH certified in accordance with EN 61558-1 bzw. 61558-2-2
- ◆ We offer the mains filter as an accessory: LIR01/01

Accessories: Make sure to use only the accessories recommended by Parker

Connect all cable shields at both ends, ensuring large contact areas!

Warning:

This is a product in the restricted sales distribution class according to EN 61800-3. In a domestic area this product can cause radio frequency disturbance, in which case the user may be required to implement appropriate remedial measures.

2.7.2. Conditions of utilization for UL certification Compax3S

UL certification for Compax3S

conform to UL:	◆ according to UL508C
Certified	◆ E-File_No.: E235342

The UL certification is documented by a "UL" logo on the device (type specification plate).



"UL" logo:

Conditions of utilization

- ◆ The devices are only to be installed in a degree of contamination 2 environment (maximum).
- ◆ The devices must be appropriately protected (e.g. by a switching cabinet).
- ◆ The X2 terminals are not suitable for field wiring.
- ◆ Tightening torque of the field wiring terminals (green Phoenix plugs)
 - ◆ C3S0xxV2 0.57 - 0.79Nm 5 - 7Lb.in
 - ◆ C3S1xxV2, 0.57 - 0.79Nm 5 - 7Lb.in
 - C3S0xxV4, C3S150V4
 - ◆ C3S300V4 1.25 - 1.7Nm 11 - 15Lb.in
- ◆ Temperature rating of field installed conductors shall be at least 60°C. Use copper lines only
Please use the cables described in the accessories chapter, they feature a temperature rating of at least 60°C.
- ◆ Maximum Surrounding Air Temperature: 45°C.
- ◆ Motor over temperature monitoring is only supported, if the external temperature sensor is connected.
- ◆ Suitable for use on a circuit capable of delivering at least 5000 symmetrical amperes effectively and 480 Volts when protected with fuses.
Fuses:
In addition to the main fuse, the devices must be equipped with a S201K, S203K, S271K or S273K circuit breaker with K characteristic made by ABB.
 - ◆ C3S025V2: ABB, nom 480V 10A, 6kA
 - ◆ C3S063V2: ABB, nom 480V, 16A, 6kA
 - ◆ C3S100V2: ABB, nom 480V, 16A, 6kA
 - ◆ C3S150V2: ABB, nom 480V, 20A, 6kA
 - ◆ C3S015V4: ABB, nom 480V, 6A, 6kA
 - ◆ C3S038V4: ABB, nom 480V, 10A, 6kA
 - ◆ C3S075V4: ABB, nom 480V, 16A, 6kA
 - ◆ C3S150V4: ABB, nom 480V, 20A, 6kA
 - ◆ C3S300V4: ABB, nom 480V, 25A, 6kA



CAUTION

Risk of electric shock.

Discharge time of the bus capacitor is 10 minutes.

- ◆ The drive provides internal motor overload protection.
This must be set so that 200% of the motor nominal current are not exceeded.
- ◆ Cable cross-sections
 - ◆ Mains input: corresponding to the recommended fuses.
 - ◆ Motor cable: corresponding to the **Nominal output currents** (see on page 39)
 - ◆ Maximum cross-section limited by the terminals mm² / AWG
 - ◆ C3S0xxV2 2.5mm² AWG 12
 - ◆ C3S1xxV2, 4.0mm² AWG 10
 - C3S0xxV4, C3S150V4
 - ◆ C3S300V4 6.0mm² AWG 7

2.7.3. Current on the mains PE (leakage current)



Caution!

This product can cause a direct current in the protective lead. If a residual current device (RCD) is used for protection in the event of direct or indirect contact, only a type B (all current sensitive) RCD is permitted on the current supply side of this product. Otherwise, a different protective measure must be taken, such as separation from the environment by doubled or enforced insulation or separation from the mains power supply by means of a transformer.

Please heed the connection instructions of the RCD supplier.

Mains filters do have high leakage currents due to their internal capacity. An internal mains filter is usually integrated into the servo controllers. Additional discharge currents are caused by the capacities of the motor cable and the motor winding. Due to the high clock frequency of the power output stage, the leakage currents do have high-frequency components. Please check if the FI protection switch is suitable for the individual application.

If an external mains filter is used, an additional leakage current will be produced.

The figure of the leakage current depends on the following factors:

- ◆ Length and properties of the motor cable
- ◆ Switching frequency
- ◆ Operation with or without external mains filter
- ◆ Motor cable with or without shield network
- ◆ Motor housing grounding (how and where)

Remark:

- ◆ The leakage current is important with respect to the handling and usage safety of the device.
- ◆ A pulsing leakage current occurs if the supply voltage is switched on.

Please note:

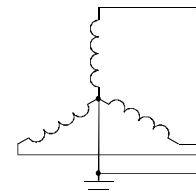
The device must be operated with effective grounding connection, which must comply with the local regulations for high leakage currents (>3.5 mA).

Due to the high leakage currents it is not advisable to operate the servo drive with an earth leakage circuit breaker.

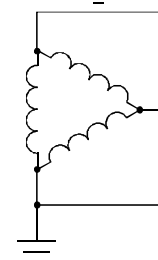
2.7.4. Supply networks

This product is designed for fixed connection to TN networks (TN-C, TN-C-S or TN-S). Please note that the line-earth voltage may not exceed 300VAC.

- ◆ When grounding the neutral conductor, mains voltages of up to 480VAC are permitted.



- ◆ When grounding an external conductor (delta mains, two-phase mains), mains voltages (external conductor voltages) of up to 240VAC are permitted.



Devices which are to be connected to an IT network must be provided with a separating transformer. Then the devices are operated locally as in a TN network. The secondary sided center of the separating transformer must be grounded and connected to the PE connector of the device.

2.8 EC declaration of conformity



Parker Hannifin Manufacturing Germany GmbH & Co. KG
Automation Group, Electromechanical Automation Europe
Robert-Bosch-Straße 22
D-77656 Offenburg

Tel.: +49 (0) 781-509-0
Fax.: +49 (0) 781-509-98

www.parker-eme.com

CE KONFORMITÄTSERKLÄRUNG CE DECLARATION OF CONFORMITY

Dokumenten Nr. **DoC001-R 2.0**
Declaration No.

Firma **Parker Hannifin Manufacturing Germany GmbH & Co. KG**
Manufacturer

Anschrift **Robert-Bosch-Straße 22**
Address **77656 Offenburg**
Deutschland

Produkt **Antrieb**
Product **Drive**

Produktname **Compax3 Serie – C3S (Einachsfamilie)**
Product name **Compax3 series – C3S (Single axis family)**

Die Konformität der Produkte wird vermutet durch die Einhaltung folgender Normen:
The above products are in accordance with the relevant clauses from following standards:

Norm / Standard	Titel / Title	Ausgabe / Edition
EN 61800-5-1	Elektrische Leistungsantriebssysteme mit einstellbarer Drehzahl Teil 5-1: Anforderungen an die Sicherheit – Elektrische, thermische und energetische Anforderungen <i>Adjustable speed electrical power drive systems</i> <i>Part 5-1: Safety Requirements- Electrical, thermal and energy</i>	2007
EN 61800-3	Drehzahlveränderbare elektrische Antriebe Teil 3: EMV-Anforderungen einschließlich spezieller Prüfverfahren <i>Adjustable speed electrical power drive systems</i> <i>Part 3: EMC product standard including specific test methods.</i>	2004

Bemerkungen/ Notes:

Den im Produkthandbuch beschriebenen Sicherheits-, Installations- und Bedienungshinweisen muss Folge geleistet werden.

*These products must be installed and operated with reference to the instructions in the Product Manual.
All instructions, warnings and safety information of the Product Manual must be adhered to.*

Die Produkte entsprechen den Anforderungen der Niederspannungs-Richtlinie 2006/95/EG und der EMV-Richtlinie 2004/108/EG.

The products are in accordance with the Low Voltage Directive 2006/95/EC and EMC Directive 2004/108/EC.

Die Produkte sind für den Einbau in eine andere Maschine bestimmt. Die Inbetriebnahme ist solange untersagt, bis die Konformität des Endproduktes gemäß der Maschinen-Richtlinie 2006/42/EG festgestellt ist.

The products are components to be incorporated into machinery and may not be operated alone. The complete machinery or installation may only be put into service when the safety considerations of the Machinery Directive 2006/42/EC are fully adhered to.

Offenburg, 05/03/2014

Jürgen Killius, Operations Manager

Parker Hannifin Manufacturing Germany GmbH & Co. KG
Sitz: Bielefeld HRB 35489
USt.-IdNr.: DE 122 802 922
Steuernummer: 5349 5747 1543

Commerzbank Offenburg
BLZ 664 400 84
Konto-Nr. 45 0 19 12 00
BIC/Swift-Code: COBADEFF
IBAN DE95 6644 0084 0450 1912 00

Geschäftsführung:
Ellen Raahede Secher, Dr. Gerd Scheffel, Günter Schrank, Kees
Veraart

Vorsitzender des Aufsichtsrates: Hansgeorg Greuner

3. Compax3 device description

In diesem Kapitel finden Sie

State of delivery	17
Meaning of the status LEDs - Compax3 axis controller	17
Mounting and dimensions	18
Connections of Compax3S	22
Signal interfaces	31

3.1 State of delivery

Compax3 is delivered without configuration!

After switching on the 24VDC supply, the red LED is flashing while the green LED is dark.

Please configure the device with the help of the Windows-Software "Compax3 ServoManager"!

3.2 Meaning of the status LEDs - Compax3 axis controller

Device status LEDs	Right LED (red)	Left LED (green)
Voltages missing	off	off
During the booting sequence	alternately flashing	
<ul style="list-style-type: none"> ◆ No configuration present. ◆ SinCos® feedback not detected. ◆ Compax3 IEC61131-3 program not compatible with Compax3 Firmware. ◆ no Compax3 IEC61131-3 program ◆ Hall signals invalid. 	flashes slowly	off
Axis powerless	off	flashes slowly
Power supplied to axis; commutation calibration running	off	flashes quickly
Axis powered	off	on
Axis in error state / error present / axis powered (error reaction 1)	flashes quickly	on
Axis in error state / error present / axis not powered (error reaction 2)	on	off
Compax3 faulty: Please contact us	on	on

3.3 Mounting and dimensions

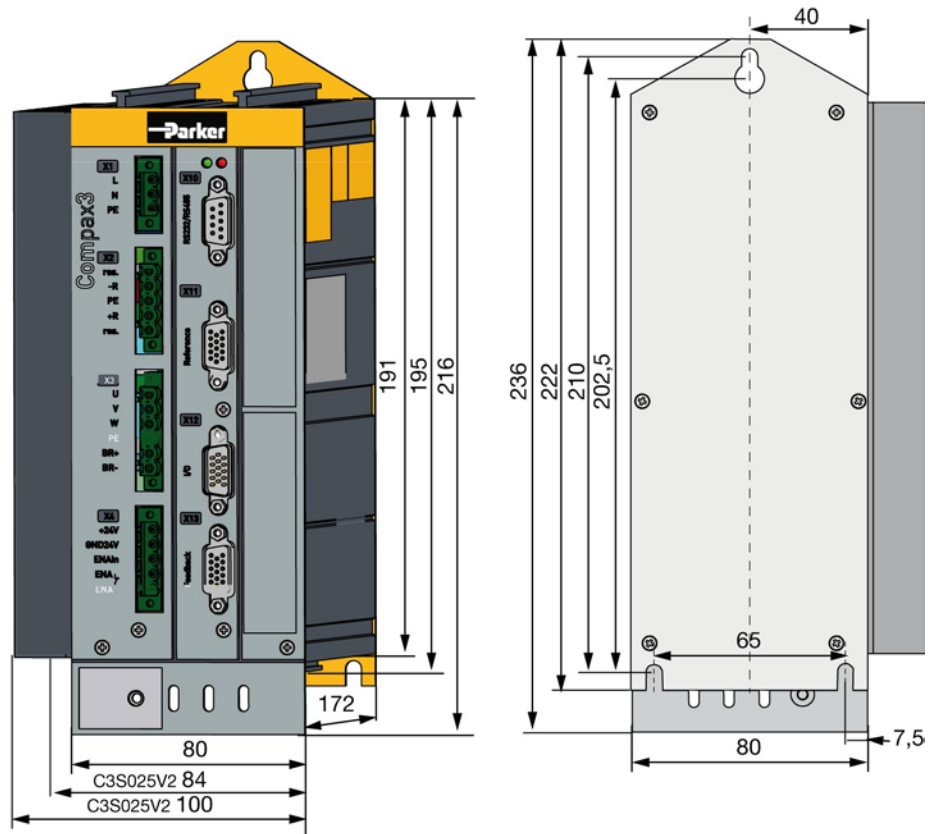
In diesem Kapitel finden Sie

Mounting and dimensions Compax3S0xxV2 18
 Mounting and dimensions Compax3S100V2 and S0xxV4 19
 Mounting and dimensions Compax3S150V2 and S150V4 20
 Mounting and dimensions Compax3S300V4 21

3.3.1. Mounting and dimensions Compax3S0xxV2

Mounting:

3 socket head screws M5



Stated in mm

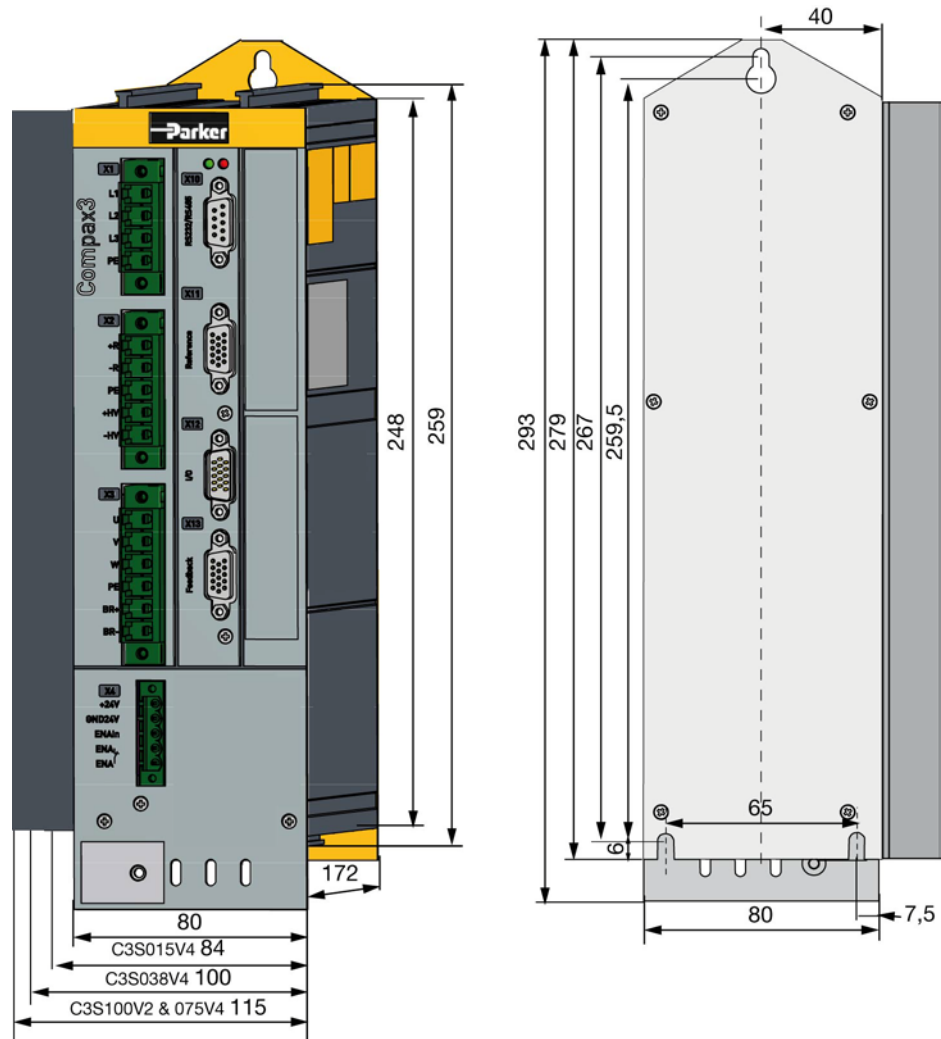
Please respect an appropriate mounting gap in order to ensure sufficient convection:

- ◆ At the side: 15mm
- ◆ At the top and below: at least 100mm

3.3.2. Mounting and dimensions Compax3S100V2 and S0xxV4

Mounting:

3 socket head screws M5



Stated in mm

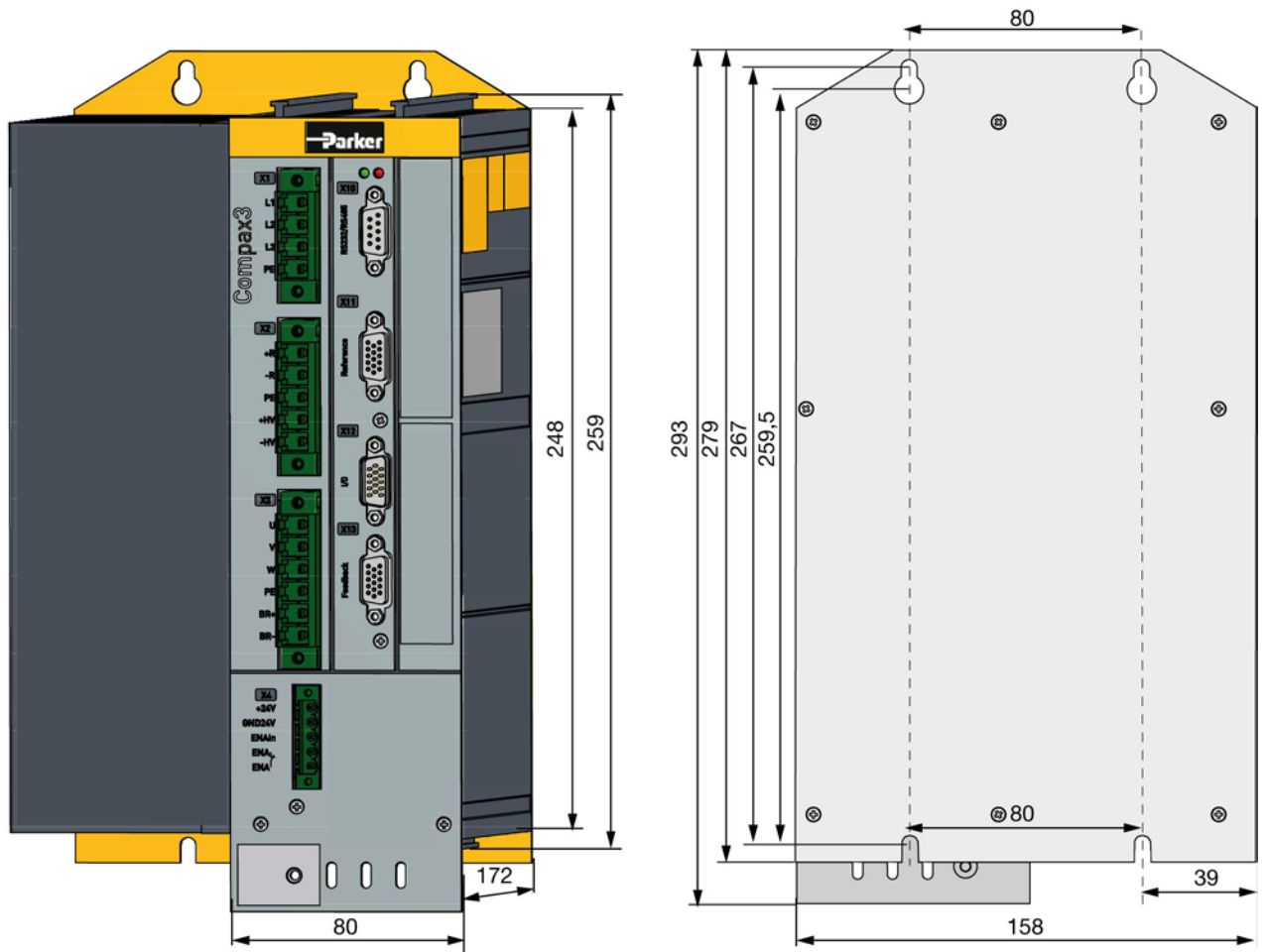
Please respect an appropriate mounting gap in order to ensure sufficient convection:

- ◆ At the side: 15mm
- ◆ At the top and below: at least 100mm

3.3.3. Mounting and dimensions Compax3S150V2 and S150V4

Mounting:

4 socket head screws M5



Stated in mm

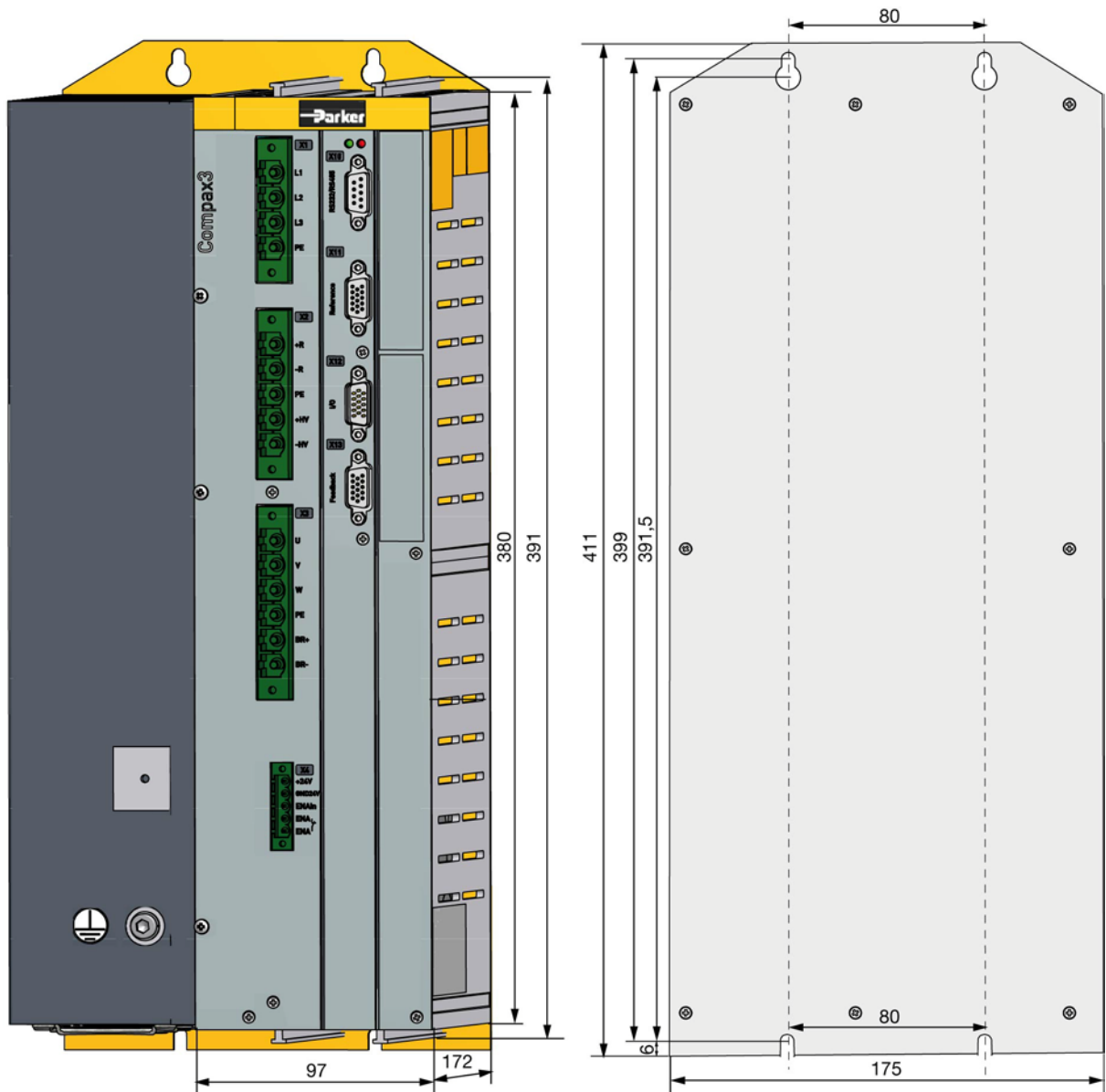
Please respect an appropriate mounting gap in order to ensure sufficient convection:

- ◆ At the side: 15mm
- ◆ At the top and below: at least 100mm

3.3.4. Mounting and dimensions Compax3S300V4

Mounting:

4 socket head screws M5



Stated in mm

Please respect an appropriate mounting gap in order to ensure sufficient convection:

- ◆ At the side: 15mm
- ◆ At the top and below: at least 100mm

Compax3S300V4 is force-ventilated via a fan integrated into the heat dissipator!

3.4 Connections of Compax3S

In diesem Kapitel finden Sie

Compax3S connectors22
 Connector and pin assignment C3S.....23
 Control voltage 24VDC / enable connector X4 C3S25
 Motor / Motor brake C3S connector X3.....26
 Compax3Sxxx V227
 Compax3Sxxx V429

3.4.1. Compax3S connectors



X1	AC Supply	X20	HEDA in (Option M10, M11)	Option M21 inputs
X2	Ballast / DC power voltage	X21	HEDA out (Option M10, M11)	Option M21 inputs
X3	Motor / Brake	X22	Inputs Outputs (Option M10/12)	
X4	24VDC / Enable	X23/ X24	Bus (Option)	Connector type depends on the bus system!
X10	RS232/RS485	S24	Bus settings	
X11	Analog/Encoder	LED1	Device status LEDs	
X12	Inputs/Outputs	LED2	HEDA LEDs	
X13	Motor position feedback	LED3	Bus LEDs	



Caution - Risk of Electric Shock!

Always switch devices off before wiring them!
 Dangerous voltages are still present until 10 min. after switching off the power supply.



Caution!

When the control voltage is missing there is no indication whether or not high voltage supply is available.



Attention - PE connection!

PE connection with 10mm² via a grounding screw at the bottom of the device.



Attention - hot surface!

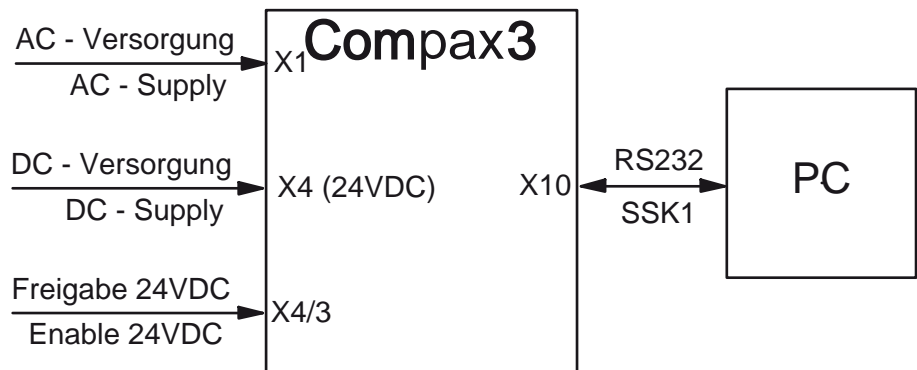
The heat dissipater can reach very high temperatures (>70°C)

Line cross sections of the line connections X1, X2, X3

Compax3 device:	Cross-section: Minimum... Maximum[mm ²]
S025V2, S063V2	0.25 ... 2.5 (AWG: 24 ... 12)
S100V2, S150V2 S015V4, S038V4, S075V4, S150V4	0.25 ... 4 (AWG: 24 ... 10)
S300V4	0.5 ... 6 (AWG: 20 ... 7)

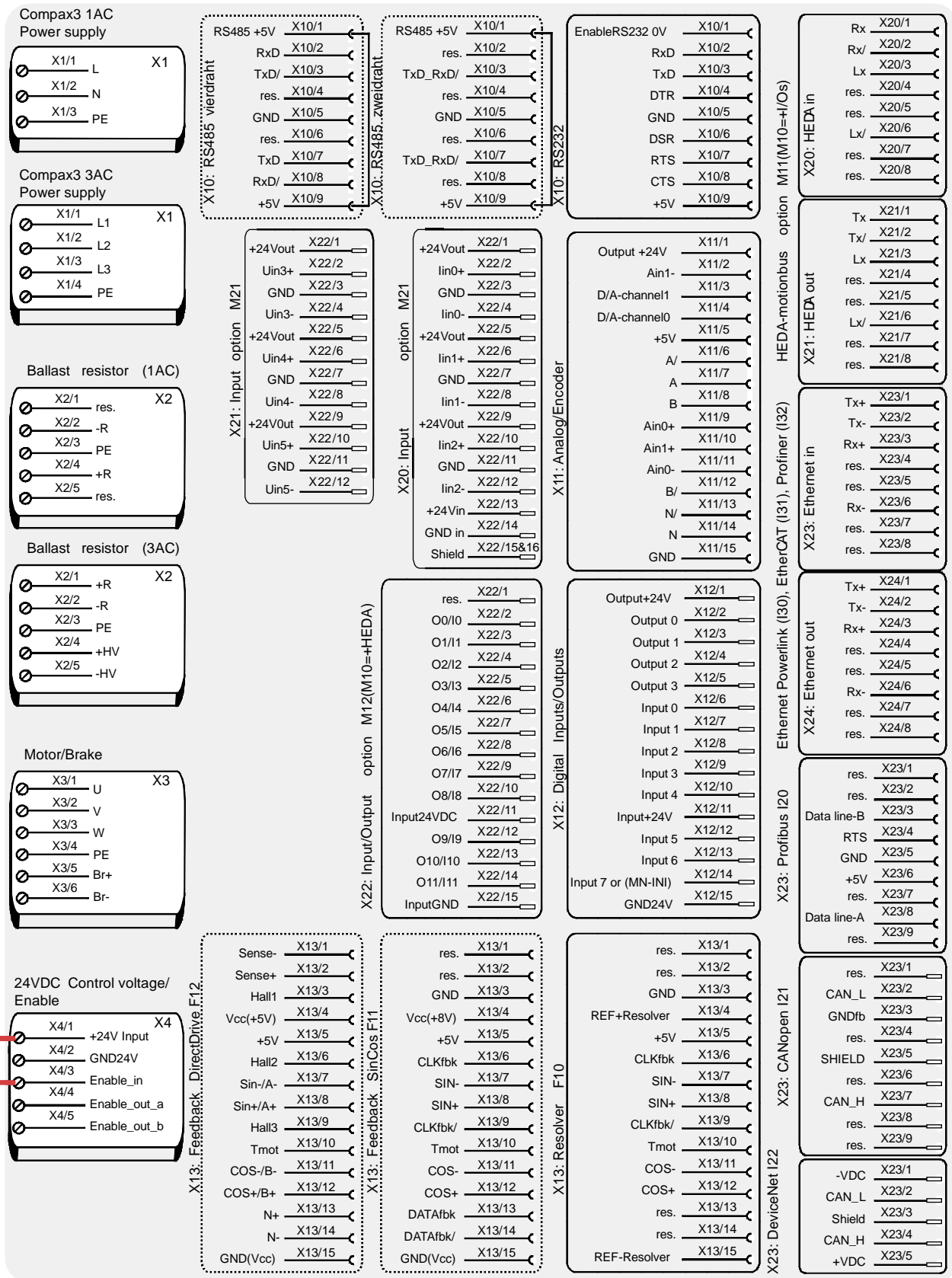
3.4.2. Connector and pin assignment C3S

Overview:



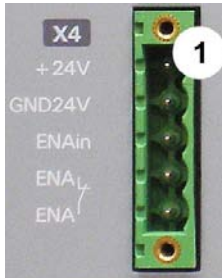
Further information on the assignment of the plug mounted at the particular device can be found below!

In detail: The fitting of the different plugs depends on the extension level of Compax3. In part, the assignment depends on the Compax3 option implemented.



The jumper drawn in at X4 (at the left side in red) is used to enable the device for testing purposes. During operation, the enable input is in most cases switched externally.

3.4.3. Control voltage 24VDC / enable connector X4 C3S



PIN	Description
1	+24V (supply)
2	Gnd24V
3	Enable_in
4	Enable_out_a
5	Enable_out_b

Line cross sections:
 minimum: 0.25mm²
 maximum: 2.5mm²
 (AWG: 24 ... 12)

Control voltage 24VDC Compax3S and Compax3H

Controller type	Compax3
Voltage range	21 - 27VDC
Current drain of the device	0.8 A
Total current drain	0.8 A + Total load of the digital outputs + current for the motor holding brake
Ripple	0.5Vpp
Requirement according to safe extra low voltage (SELV)	yes
Short-circuit proof	conditional (internally protected with 3.15AT)

Hardware - enable (input X4/3 = 24VDC)

This input is used as safety interrupt for the power output stage.

Tolerance range: 18.0V - 33.6V / 720Ω

"Safe torque off (X4/3=0V)

For implementation of the "safety torque off" safety feature in accordance with the "protection against unexpected start-up" described in EN1037. Observe instructions in the corresponding chapter with the circuitry examples!

The energy supply to the drive is reliably shut off, the motor has no torque. A relay contact is located between X4/4 and X4/5 (normally closed contact)

Enable_out_a - Enable_out_b	Power output stage is
Contact opened	activated
Contact closed	disabled

Series connection of these contacts permits certain determination of whether all drives are de-energized.

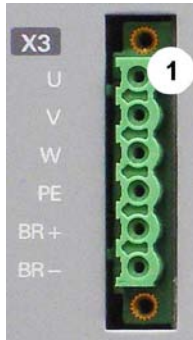
Relay contact data:

Switching voltage (AC/DC): 100mV - 60V

Switching current: 10mA - 0.3A

Switching power: 1mW...7W

3.4.4. Motor / Motor brake C3S connector X3



PIN	Designation	Motor cable lead designation*			
		U / L1 / C / L+	1	U1	
1	U (motor)	U / L1 / C / L+	1	U1	
2	V (motor)	V / L2	2	V2	
3	W (motor)	W / L3 / D / L-	3	W3	
4	PE (motor)	YE / GN	YE / GN	YE / GN	
5	BR+	Motor holding brake	WH	4	Br1
6	BR-	Motor holding brake	BK	5	Br2

* depending on the cable type

Requirements for motor cable

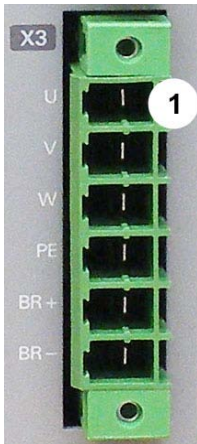
< 100m (the cable should not be rolled up!)

A motor output filter is required for motor cables >20 m:

Shielding connection of the motor cable

The cable must be fully-screened and connected to the Compax3 housing. Use the cable clamps/shield connecting terminals furnished with the device.

The shield of the cable must also be connected with the motor housing. The fixing (via plug or screw in the terminal box) depends on the motor type.



Attention - Please wire the motor holding brake!

Connect the brake only on motors which have a holding brake! Otherwise make no brake connections at all.

Requirements cables for motor holding brake

If a motor holding brake is present, **one cable** of the motor holding brake must be fed on the device side through the toroidal core ferrite provided as accessory ZBH0x/xx (63Ω @ 1MHz, di=5.1mm), in order to ensure error-free switching on and off of the motor holding brake.

Motor holding brake output

Motor holding brake output	Compax3
Voltage range	21 – 27VDC
Maximum output current (short circuit proof)	1.6A

Motor cable

3.4.5. Compax3Sxxx V2

[In diesem Kapitel finden Sie](#)

Main voltage supply C3S connector X127
 Braking resistor / high voltage DC C3S connector X228

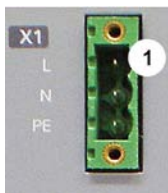
3.4.5.1 Main voltage supply C3S connector X1

Device protection

By cyclically switching on and off the power voltage, the input current limitation can be overloaded, which will cause a device error.

Therefore please wait at least 2 minutes after switching off before you switch the device on again!

Power supply plug X1 for 1 AC 230VAC/240VAC devices



PIN	Designation
1	L
2	N
3	PE

Mains connection Compax3S0xxV2 1AC

Controller type	S025V2	S063V2
Continuous working voltage	Single phase 230VAC/240VAC 80-253VAC / 50-60Hz	
Receiver current consumption	6Arms	13Arms
Maximum fuse rating per device	10 A (automatic circuit breaker K)	16A (automatic circuit breaker K)

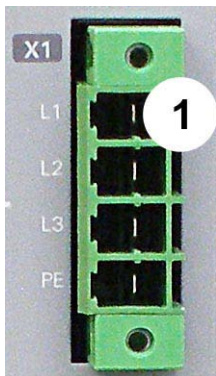
* for **UL conform operation** (see on page 14), a miniature circuit breaker, K characteristic, Type S203 is to be used.



Caution - Risk of Electric Shock!

Always switch devices off before wiring them!
 Dangerous voltages are still present until 10 min. after switching off the power supply.

Power supply plug X1 for 3AC 230VAC/240VAC devices



PIN	Designation
1	L1
2	L2
3	L3
4	PE

Mains connection Compax3S1xxV2 3AC

Controller type	S100V2	S150V2
Supply voltage	Three phase 3* 230VAC/240VAC 80-253VAC / 50-60Hz	
Input current	10Arms	13Arms
Maximum fuse rating per device	16A	20A
	MCB miniature circuit breaker, K characteristic	

* for **UL conform operation** (see on page 14), a miniature circuit breaker, K characteristic, Type S203 is to be used.

Caution! The 3AC V2 devices must only be operated with three phases!



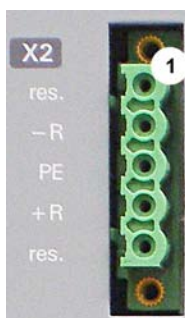
Caution - Risk of Electric Shock!

Always switch devices off before wiring them!
 Dangerous voltages are still present until 10 min. after switching off the power supply.

3.4.5.2 Braking resistor / high voltage DC C3S connector X2

The energy generated during braking operation is absorbed by the Compax3 storage capacity.
 If this capacity is too small, the braking energy must be drained via a braking resistor.

Braking resistor / high voltage supply plug X2 for 1AC 230VAC/240VAC devices



PIN	Designation
1	factory use
2	- braking resistor (not short-circuit protected!)
3	PE
4	+ braking resistor (not short-circuit protected!)
5	factory use

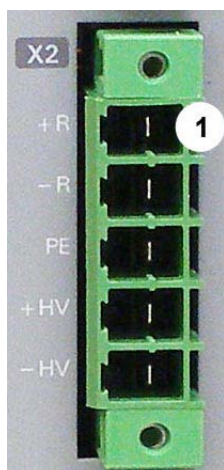
Braking operation Compax3S0xxV2 1AC

Controller type	S025V2	S063V2
Capacitance / storable energy	560µF / 15Ws	1120µF / 30Ws
Minimum braking- resistance	100Ω	56Ω
Recommended nominal power rating	20 ... 60W	60 ... 180W
Maximum continuous current	8A	15A

Caution!

The power voltage DC of two Compax3 1AC V2 devices (230VAC/240VAC devices) must not be connected.

Braking resistor / high voltage supply plug X2 for 3AC 230VAC/240VAC devices



PIN	Description	
1	+ Braking resistor	no short-circuit protection!
2	- Braking resistor	
3	PE	
4	+ DC high voltage supply	
5	- DC high voltage supply	

Braking operation Compax3S1xxV2 3AC

Controller type	S100V2	S150V2
Capacitance / storable energy	780µF / 21Ws	1170µF / 31Ws
Minimum braking- resistance	22Ω	15Ω
Recommended nominal power rating	60 ... 450W	60 ... 600W
Maximum continuous current	20A	20A

Connection of a braking resistor

Minimum line cross section: 1.5mm²
 Maximum line length: 2m
 Maximum output voltage: 400VDC

3.4.6. Compax3Sxxx V4

[In diesem Kapitel finden Sie](#)

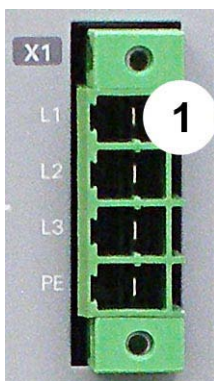
Power supply connector X1 for 3AC 400VAC/480VAC-C3S devices29
 Braking resistor / high voltage supply connector X2 for 3AC 400VAC/480VAC_C3S devices29
 Connection of the power voltage of 2 C3S 3AC devices30

3.4.6.1 Power supply connector X1 for 3AC 400VAC/480VAC-C3S devices

Device protection

By cyclically switching on and off the power voltage, the input current limitation can be overloaded, which will cause a device error.

Therefore please wait at least 2 minutes after switching off before you switch the device on again!



PIN	Designation
1	L1
2	L2
3	L3
4	PE

Mains connection Compax3SxxxV4 3AC

Controller type	S015V4	S038V4	S075V4	S150V4	S300V4
Continuous working voltage	Three phase 3*400VAC/480VAC 80-528VAC / 50-60Hz				
Receiver current consumption	3Aeff	6Arms	10Arms	16Arms	22Arms
Maximum fuse rating per device	6A	10A	16A	20A	25A
	MCB miniature circuit breaker, K characteristic				D*

* for **UL conform operation** (see on page 14), a miniature circuit breaker, K characteristic, Type S203 is to be used.

Caution!

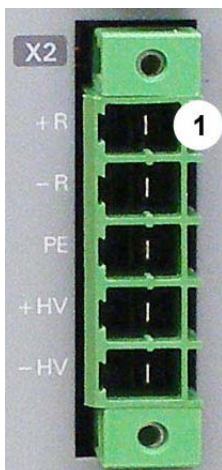


The 3AC V4 devices must only be operated with three phases!

Caution - Risk of Electric Shock!

Always switch devices off before wiring them!
 Dangerous voltages are still present until 10 min. after switching off the power supply.

3.4.6.2 Braking resistor / high voltage supply connector X2 for 3AC 400VAC/480VAC_C3S devices



PIN	Description	
1	+ Braking resistor	no short-circuit protection!
2	- Braking resistor	
3	PE	
4	+ DC high voltage supply	
5	- DC high voltage supply	

Braking operation Compax3SxxxV4 3AC

Controller type	S015V4	S038V4	S075V4	S150V4	S300V4
Capacity / storable energy 400V / 480V	235 μ F 37 / 21 Ws	235 μ F 37 / 21 Ws	470 μ F 75 / 42 Ws	690 μ F 110 / 61 Ws	1230 μ F 176 / 98 Ws
Minimum ballast - resistance	100 Ω	100 Ω	56 Ω	47 Ω	15 Ω
Recommended nominal power rating	60 ... 100W	60 ... 250W	60 ... 500 W	60 ... 1000 W	60 ... 1000 W
Maximum continuous current	10A	10A	15A	20A	30A

Connection of a braking resistor

Minimum line cross section: 1.5 mm²
 Maximum line length: 2 m
 Maximum output voltage: 800 VDC

3.4.6.3 Connection of the power voltage of 2 C3S 3AC devices**Caution!**

The power voltage DC of the single phase Compax3 servo axes must not be connected!

In order to improve the conditions during brake operation, the DC power voltage of 2 servo axes may be connected.

The capacity as well as the storable energy are increased; furthermore the braking energy of one servo axis may be utilized by a second servo axis, depending on the application.



It is not permitted to connect the power voltage in order to use one brake circuit for two servo axes, as this function cannot be ensured reliably.

Note the following:

Caution! In case of non-compliance with the following instructions, the device may be destroyed!

- ◆ You can only connect two similar servo axes (same power supply; same rated currents)
- ◆ Connected servo axes must always be fed separately via the AC power supply. If the external pre-fuse of one of the servo axes takes action, the second servo axis must also be disconnected automatically.

Please connect as follows:

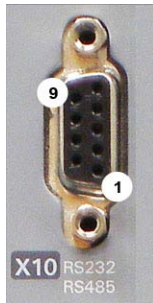
Servo axis 1 X2/4 to servo axis 2 X2/4
 Servo axis 1 X2/5 to servo axis 2 X2/5

3.5 Signal interfaces

In this chapter you can read about:

RS232 / RS485 interface (plug X10)31
 Resolver / Feedback (connector X13)32
 Analogue / encoder (plug X11)34
 Digital inputs/outputs (plug X12)35
 Optional input/output cards36

3.5.1. RS232 / RS485 interface (plug X10)



Interface selectable by contact functions assignment of X10/1:
 X10/1=0V RS232
 X10/1=5V RS485

PIN X10	RS232 (Sub D)
1	(Enable RS232) 0V
2	RxD
3	TxD
4	DTR
5	GND
6	DSR
7	RTS
8	CTS
9	+5V
PIN X10	RS485 two wire (Sub D) Pin 1 and 9 jumpered externally
1	Enable RS485 (+5V)
2	res.
3	TxD_RxD/
4	res.
5	GND
6	res.
7	TxD_RxD
8	res.
9	+5V
PIN X10	RS485 four wire (Sub D) Pin 1 and 9 externally jumpered
1	Enable RS485 (+5V)
2	RxD
3	TxD/
4	res.
5	GND
6	res.
7	TxD
8	RxD/
9	+5V

USB - RS232/RS485 converter

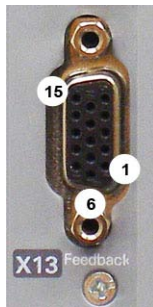
The following USB - RS232 converters were tested:

- ◆ ATEN UC 232A
- ◆ USB GMUS-03 (available under several company names)
- ◆ USB / RS485: **Moxa Uport 1130**
http://www.moxa.com/product/UPort_1130_1130I.htm
- ◆ Ethernet/RS232/RS485: **NetCom 113** <http://www.vscom.de/666.htm>
- ◆ Exsys Adapter USB to RS232 with FTDI processor (Windows 7)

Note on Compax3H

If X10 at the control unit is used, the programming interface as well as the external device status LEDs are out of order due to the removal of the X10 jumper (VBK17/01)!

3.5.2. Resolver / Feedback (connector X13)



Assignment with feedback F10 (Resolver)

PIN X13	Feedback /X13 High Density /Sub D
	Resolver (F10)
1	factory use
2	factory use
3	GND
4	REF-Resolver+
5	+5V (for temperature sensor)
6	factory use
7	SIN-
8	SIN+
9	factory use
10	Tmot*
11	COS-
12	COS+
13	factory use
14	factory use
15	REF-Resolver-

Assignment with feedback F11 (SinCos)

PIN X13	Feedback /X13 High Density /Sub D
	SinCos (F11)
1	factory use
2	factory use
3	GND
4	Vcc (+8V with Compax3S & Compax3H; +10 V with Compax3M)
5	res+5 V (for temperature sensor)
6	factory use
7	SIN-
8	SIN+
9	factory use
10	Tmot*
11	COS-
12	COS+
13	DATAfbk
14	DATAfbk/
15	GND (Vcc)

Assignment with feedback F12 (EnDat)

PIN X13	Feedback /X13 High Density /Sub D		
	EnDat 2.1 & 2.2 with incremental track (Endat01, Endat02)	EnDat 2.1 fully digital (Endat21) (cable length max. 90 m)	EnDat 2.2 fully digital (Endat02, Endat22) (cable length max. 25 m)
1	Sense -*		factory use
2	Sense +*		factory use
3	factory use		
4	Vcc (+5 V) * max. 350 mA load		
5	+5 V (for temperature sensor)		
6	CLKfbk		
7	SIN- / A- (Encoder)	factory use	
8	SIN+ / A+ (Encoder)	factory use	
9	CLKfbk/		
10	Tmot*		
11	COS- / B- (Encoder)	factory use	
12	COS+ / B+ (Encoder)	factory use	
13	DATAfbk		
14	DATAfbk/		
15	GND (Vcc)		

*X13 Pin10 Tmot may not be connected at the same time as X15 (on Compaxx3M).

Resolver cables can be found in the accessories chapter of the device description.
SinCos® cables can be found in the accessories chapter of the device description.
EnDat - cable GBK38 (EnDat2.1) and GBK56 (EnDat2.2)

Incremental Feedback (optionally with hall sensors)

PIN X13	Feedback option F12 / X13 High Density /Sub D
1	Sense -*
2	Sense +*
3	Hall1 (digital)
4	Vcc (+5V)* max. 350 mA load
5	+5 V (for temperature sensors and Hall sensors)
6	Hall2 (digital)
7	SIN-, A- (Encoder) or analog Hall sensor
8	SIN+, A+, (Encoder) or analog Hall sensor
9	Hall3 (digital)
10	Tmot*
11	COS-, B- (Encoder) or analog Hall sensor
12	COS+, B+ (Encoder) or analog Hall sensor
13	N+
14	N-
15	GND (Vcc)

*X13 Pin10 Tmot may not be connected at the same time as X15 (on Compaxx3M).

Note on F12:

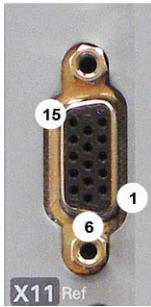
*+5V (Pin 4) is measured and controlled directly at the end of the line via Sense+ and Sense-.

Cable length max.: 100m

Caution!

- ◆ Pin 4 and Pin 5 must under no circumstances be connected!
- ◆ Plug in or pull out feedback connector only in switched off state (24VDC switched off).

3.5.3. Analogue / encoder (plug X11)



PIN X11	Reference High Density Sub D		
		Encoders	SSI
1	+24V (output) max. 70mA		
2	Ain1 -; analog input - (14Bits; max. +/-10V)		
3	D/A monitor channel 1 ($\pm 10V$, 8-bit resolution)		
4	D/A monitor channel 0 ($\pm 10V$, 8-bit resolution)		
5	+5 V (output for encoder) max. 150 mA		
6	- Input: steps RS422 (5V - level)	A/ (Input / -simulation)	Clock-
7	+ Input: steps RS422 (5V - level)	A/ (Input / -simulation)	Clock+
8	+ Input: direction RS422 (5V - level)	B Input / -simulation)	
9	Ain0 +: analog input + (14Bits; max. +/-10V)		
10	Ain1 +: analog input + (14Bits; max. +/-10V)		
11	Ain0 -: analog input- (14Bits; max. +/-10V)		
12	- Input: direction RS422 (5V - level)	B/ input / -simulation)	
13	factory use	N/ input / -simulation)	DATA-
14	factory use	N input / -simulation)	DATA+
15	GND		

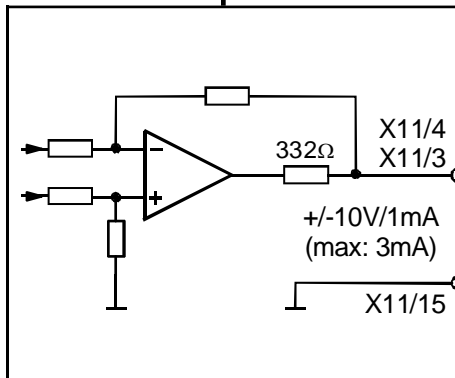
Technical Data X11 (see on page 41)

3.5.3.1 Wiring of analog interfaces

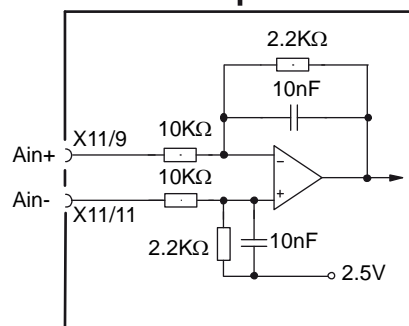
Output

Input

Compax3



Compax3

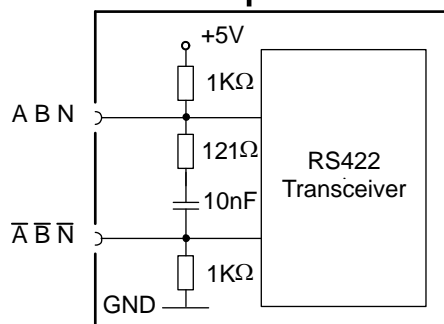


Perform an offset adjustment!

Structure image of the internal signal processing of the analog inputs
 Ain1 (X11/10 and X11/2) has the same wiring!

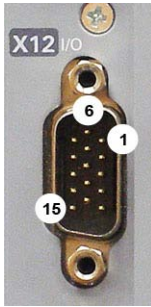
3.5.3.2 Connections of the encoder interface

Compax3



The input connection is available in triple (for A & /A, B & /B, N & /N)

3.5.4. Digital inputs/outputs (plug X12)



Pin X12	Input/output	I/O / X12 High density/Sub D
1	Output	+24 V DC output (max. 340mA)
2	O0	Output 0 (max. 100 mA)
3	O1	Output 1 (max. 100mA)
4	O2	Output 2 (max. 100mA)
5	O3	Output 3 (max. 100mA)
6	I0	Input 0
7	I1	Input 1
8	I2	Input 2
9	I3	Input 3
10	I4	Input 4
11	I	24V input for the digital outputs Pins 2 to 5
12	I5	Input 5
13	I6	Input 6
14	I7	Input 7
15	Output	GND24V

All inputs and outputs have 24V level.

The exact assignment depends on the the device type!

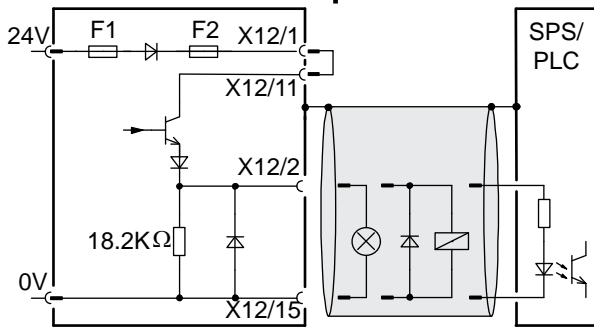
You will find the description of the device-specific assignment in the online help which can be opened from the Compax3 ServoManager.

Maximum capacitive loading of the outputs: 50nF (max. 4 Compax3 inputs).

3.5.4.1 Connection of the digital Outputs/Inputs

Wiring of digital outputs

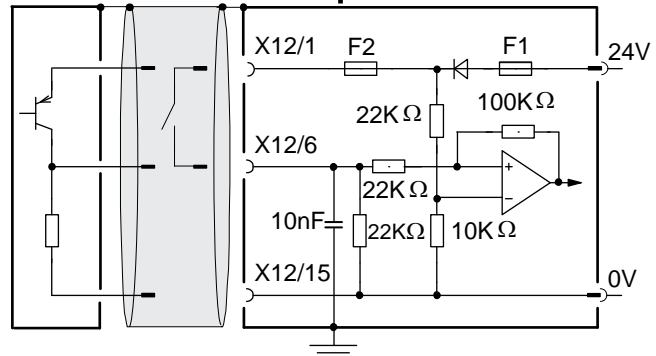
Compax3



The circuit example is valid for all digital outputs!
 The outputs are short circuit proof; a short circuit generates an error.

Status of digital inputs

SPS/PLC Compax3



The circuit example is valid for all digital inputs!
 Signal level:

- ◆ > 9.15V = "1" (38.2% of the control voltage applied)
- ◆ < 8.05V = "0" (33.5% of the control voltage applied)

F1: Delayed action fuse

F2: Quick action electronic fuse; can be reset by switching the 24 VDC supply off and on again.

3.5.5. Optional input/output cards

In this chapter you can read about:

Digital input/output option M12 (I12)36
 M21 analog input option37

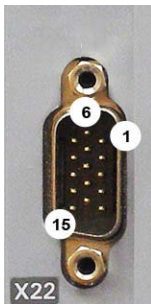
Options M10, M11, M12 and M21 can only be used alternatively.

With Compax3 technology functions T20 and T70, option M21 is always integrated.

3.5.5.1 Digital input/output option M12 (I12)

Option M12 (or M10: with HEDA) offers 8 digital 24V inputs and 4 digital outputs on X22.

Assignment of the X22 connector



Pin X22/	Input/Output	I/O /X22 High density/Sub D	Configurable in the C3 ServoManager *:
1	n.c.	factory use	
2	O0/I0	Output 0 / Input 0 - adjustable	*
3	O1/I1	Output 1 / Input 1 - adjustable	
4	O2/I2	Output 2 / Input 2 - adjustable	
5	O3/I3	Output 3 / Input 3 - adjustable	
6	O4/I4	Output 4 / Input 4 - adjustable	*
7	O5/I5	Output 5 / Input 5 - adjustable	
8	O6/I6	Output 6 / Input 6 - adjustable	
9	O7/I7	Output 7 / Input 7 - adjustable	
10	O8/I8	Output 8 / Input 8 - adjustable	*
11	I	24 VDC power supply	
12	O9/I9	Output 9 / Input 9 - adjustable	
13	O10/I10	Output 10 / Input 10 - adjustable	
14	O11/I11	Output 11 / Input 11 - adjustable	
15	I	GND24V	(not 24VDC)

* Configurable as input or output in the wizard window "I/O assignment" in groups of 4.

All inputs and outputs do have 24 V level.

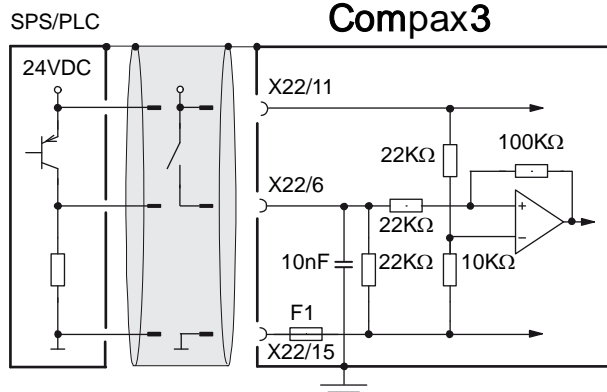
Maximum load on an output: 100mA

Maximum capacitive load: 50nF (max. 4 Compax3 inputs)

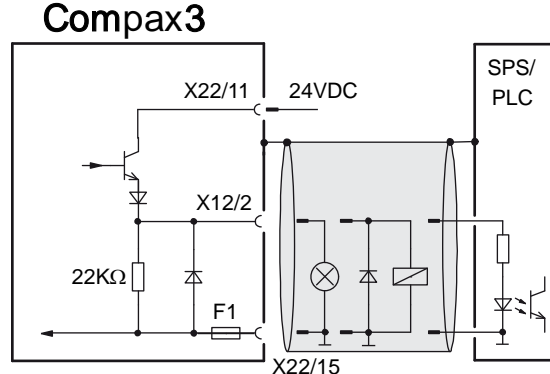
Caution! The 24 VDC power supply (X22/11) must be supplied from an external source and must be protected by a 1.2 A delayed fuse!

Connections of digital inputs and outputs M10 & M12

Input wiring of digital inputs



Output wiring of digital outputs

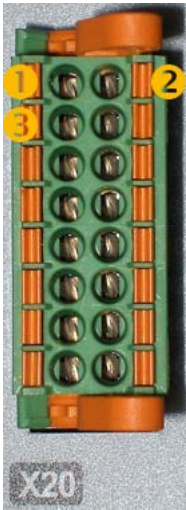


The outputs are short circuit proof; a short circuit generates an error.

F1: Quick action electronic fuse; can be reset by switching the 24VDC supply off and on again.

3.5.5.2 M21 analog input option

Connector assignment Option M21 X20



X20: Current inputs (0 ... 20 mA)

Pin	Name	Function	Internal input channel
1	+24Vout	Sensor supply 0 (output) ¹⁾	AI0
2	in0+	Current input 0 + (0 ... 20 mA)	
3	GND	Sensor supply 0 (output) ¹⁾	
4	in0-	Current input 0 - (0 ... 20 mA)	AI1
5	+24Vout	Sensor supply 1 (output) 24 VDC out ¹⁾	
6	in1+	Current input 1 + (0 ... 20 mA)	
7	GND	Sensor supply 1 (output) ¹⁾	AI2
8	in1-	Current input 1 - (0 ... 20 mA)	
9	+24Vout	Sensor supply 2 (output) ¹⁾	
10	in2+	Current input 2 + (0 ... 20 mA)	Supply for pin 1/3, 5/7 and 9/11. ²⁾
11	GND	Sensor supply 2 (output) ¹⁾	
12	in2-	Current input 2 - (0 ... 20 mA)	
13	+24Vin	Sensor supply input 24 VDC in	
14	GND in	Sensor supply input	
15	Shield	Shield connection	
16	Shield	Shield connection	

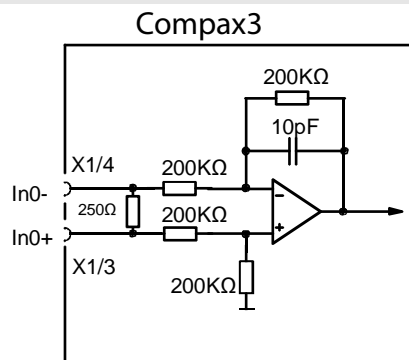
Input resistor 250 Ω

¹⁾ For sensor supply - optional; the differential inputs may also be used. Supply takes also place via X20 pin 13 and 14.

²⁾ Only required if these voltage outputs are used for the sensor supply

Wiring of the analog current inputs

Input IN0



IN0 to IN3 do have the same wiring!

Pin assignment X1

Connector assignment Option M21 X21



X21: Voltage inputs (-10 V... +10 V)

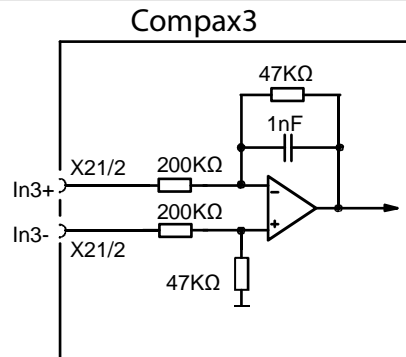
Pin	Name	Function	Internal input channel
1	+24Vout	Sensor supply 3 (output) ¹⁾	AI0
2	in3 +	Voltage input 3 + (-10 V... +10 V)	
3	GND	Sensor supply 3 (output) ¹⁾	
4	in3 -	Voltage input 3 - (-10... +10 V)	AI1
5	24 VDC out	Sensor supply 4 (output) ¹⁾	
6	in4 +	Voltage input 4 + (-10 V... +10 V)	
7	GND	Sensor supply 4 (output) ¹⁾	AI2
8	in4 -	Voltage input 4 - (-10... +10 V)	
9	24 VDC out	Sensor supply 5 (output) ¹⁾	
10	in5 +	Voltage input 5 + (-10 V... +10 V)	AI2
11	GND	Sensor supply 5 (output) ¹⁾	
12	in5 -	Voltage input 5 - (-10... +10 V)	

Input resistor 554 kΩ

¹⁾ For sensor supply - optional; the differential inputs may also be used. Supply takes also place via X20 pin 13 and 14.

Wiring of the analog voltage inputs

Input IN4



IN4 (X21/6 und X21/8) und IN5 (X21/10 und X21/12) do have the same wiring!

4. Technical Characteristics

Mains connection Compax3S0xxV2 1AC

Controller type	S025V2	S063V2
Continuous working voltage	Single phase 230VAC/240VAC 80-253VAC / 50-60Hz	
Receiver current consumption	6Arms	13Arms
Maximum fuse rating per device	10 A (automatic circuit breaker K)	16A (automatic circuit breaker K)

Mains connection Compax3S1xxV2 3AC

Controller type	S100V2	S150V2
Supply voltage	Three phase 3* 230VAC/240VAC 80-253VAC / 50-60Hz	
Input current	10Arms	13Arms
Maximum fuse rating per device	16A	20A
	MCB miniature circuit breaker, K characteristic	

Mains connection Compax3SxxxV4 3AC

Controller type	S015V4	S038V4	S075V4	S150V4	S300V4
Continuous working voltage	Three phase 3*400VAC/480VAC 80-528VAC / 50-60Hz				
Receiver current consumption	3Aeff	6Arms	10Arms	16Arms	22Arms
Maximum fuse rating per device	6A	10A	16A	20A	25A
	MCB miniature circuit breaker, K characteristic				D*

Control voltage 24VDC Compax3S and Compax3H

Controller type	Compax3
Voltage range	21 - 27VDC
Current drain of the device	0.8 A
Total current drain	0.8 A + Total load of the digital outputs + current for the motor holding brake
Ripple	0.5Vpp
Requirement according to safe extra low voltage (SELV)	yes
Short-circuit proof	conditional (internally protected with 3.15AT)

Output data Compax3S0xx at 1*230VAC/240VAC

Controller type	S025V2	S063V2
Output voltage	3x 0-240V	3x 0-240V
Nominal output current	2.5Arms	6.3Arms
Pulse current for 5s	5.5Arms	12.6Arms
Power	1kVA	2.5kVA
Switching frequency	16kHz	16kHz
Power loss for In	30W	60W

Output data Compax3S1xx at 3*230VAC/240VAC

Controller type	S100V2	S150V2
Output voltage	3x 0-240V	3x 0-240V
Nominal output current	10Arms	15Arms
Pulse current for 5s	20Arms	30Arms
Power	4kVA	6kVA
Switching frequency	16kHz	8kHz
Power loss for In	80W	130W

Output data Compax3Sxxx at 3*400VAC

Controller type	S015V4	S038V4	S075V4	S150V4	S300V4
Output voltage	3x 0-400V				
Nominal output current	1.5Arms	3.8Arms	7.5Arms	15Arms	30Arms
Pulse current for 5s	4.5Arms	9.0Arms	15Arms	30Arms	60Arms*
Power	1kVA	2.5kVA	5kVA	10kVA	20kVA
Switching frequency	16kHz	16kHz	16kHz	8kHz	8kHz
Power loss for In	60W	80W	120W	160W	350W

* With cyclic peak currents (S8 or S9 operation), the device utilization (683.2) may not be > 70%; otherwise it is necessary to use a condenser module "C4Module".

Output data Compax3Sxxx at 3*480VAC

Controller type	S015V4	S038V4	S075V4	S150V4	S300V4
Output voltage	3x 0-480V				
Nominal output current	1.5Arms	3.8Arms	6.5Arms	13.9Arms	30Arms
Pulse current for 5s	4.5Arms	7.5Arms	15Arms	30Arms	60Arms*
Power	1.25kVA	3.1kVA	6.2kVA	11.5kVA	25kVA
Switching frequency	16kHz	16kHz	16kHz	8kHz	8kHz
Power loss for In	60W	80W	120W	160W	350W

* With cyclic peak currents (S8 or S9 operation), the device utilization (683.2) may not be > 70%; otherwise it is necessary to use a condenser module "C4Module".

Resolution of the motor position

For option F10: Resolver	<ul style="list-style-type: none"> ◆ Position resolution: 16 Bits (= 0.005°) ◆ Absolute accuracy: ±0.167°
For option F11: SinCos®	<ul style="list-style-type: none"> ◆ Position resolution: 13.5 Bits / Encoder sine period => 0.03107°/encoder resolution
For option F12:	<ul style="list-style-type: none"> ◆ Maximum position resolution <ul style="list-style-type: none"> ◆ Linear: 24 Bits per motor magnet spacing ◆ Rotary: 24 Bits per motor revolution ◆ For 1Vss Sine-Cosine encoders (e.g. EnDat): 13.5 bits / graduation of the scale of the encoder ◆ For RS 422 encoders: 4x encoder resolution ◆ Accuracy of the feedback zero pulse acquisition = accuracy of the feedback resolution. ◆ Resolution for analog hall sensors with 1Vpp signal: 13.5 Bits / motor magnet spacing

Accuracy

The exactitude of the position signal is above all determined by the exactitude of the feedback system used.

Supported Motor and Feedback Systems

Motors Direct drives <ul style="list-style-type: none"> ◆ Linear motors ◆ Torque motors 	<ul style="list-style-type: none"> ◆ Sinusoidally commutated synchronous motors <ul style="list-style-type: none"> ◆ Maximum electrical turning frequency: 1000Hz* ◆ Max. velocity on 8 pole motors: 15 000min⁻¹. ◆ General max. speed: <ul style="list-style-type: none"> 60*1000/number of pole pairs in [min⁻¹]. ◆ Max. number of poles = 600 ◆ Sinusoidal commutated asynchronous motors <ul style="list-style-type: none"> ◆ Maximum electrical turning frequency: 1000Hz ◆ Max. velocity: 60*1000/number of pole pairs - slip in [min⁻¹]. ◆ Field weakening: typically up to triple (higher on request). ◆ Temperature sensor: KTY84-130 (insulated in accordance with EN60664-1 or IEC60664-1) ◆ 3 phase synchronous direct drives
Position encoder (Feedback)	Option F10: Resolver
LTN:	◆ RE-21-1-A05, RE-15-1-B04
Tamagawa:	◆ TS2610N171E64, TS2620N21E11, TS2640N321E64, TS2660N31E64
Tyco (AMP)	◆ V23401-T2009-B202
	Option F11: SinCos®
	<ul style="list-style-type: none"> ◆ Rotary feedback with HIPERFACE® interface: <ul style="list-style-type: none"> ◆ Singleturn (SICK Stegmann) ◆ Multiturn (SICK Stegmann) Absolute position up to 4096 motor revolutions. ◆ For example: SRS50, SRM50, SKS36, SKM36, SEK52, SEL52, SEL37, SEK37, SEL37, SEK160, SEK90

* higher values on request

Special Feedback Systems	Option F12
Analog hall sensors	<ul style="list-style-type: none"> ◆ Sine-Cosine signal (max. 5Vpp*; typical 1Vpp) 90° offset ◆ U-V signal (max. 5Vpp*; typical 1Vpp) 120° offset.
Encoder (linear or rotary)	<ul style="list-style-type: none"> ◆ Sine-Cosine (max. 5Vpp*; typical 1Vpp) (max. 400kHz) or ◆ TTL (RS422) (max. 5MHz; track A or B) ◆ Bypass function for encoder signals (limit frequency** 5MHz, track A or B) with the following modes of commutation: <ul style="list-style-type: none"> ◆ Automatic commutation or ◆ U, V, W or R, S, T commutation signals (NPN open collector) e.g. digital hall sensors, incremental encoders made by Hengstler (F series with electrical ordering variant 6)
EnDat*** with incremental (Sine - Cosine) track	<ul style="list-style-type: none"> ◆ EnDat 2.1 or EnDat 2.2 (Endat01, Endat02) feedback ◆ linear or rotary ◆ max. 400kHz Sine-Cosine
EnDat 2.2*** (fully digital)	<ul style="list-style-type: none"> ◆ EnDat 2.2 (Endat01, Endat02) feedback ◆ linear or rotary ◆ max. Cable length: 25 m
EnDat2.1*** (fully digital)	<ul style="list-style-type: none"> ◆ EnDat 2.1 without incremental track ◆ Supported types: EQI11xx, ECI11xx, ECI11x ◆ max. Cable length: 90 m
Distance coded feedback systems	<ul style="list-style-type: none"> ◆ Distance coding with 1 VSS interface ◆ Distance coding with RS422 - Interface (Encoder)

*Max. differential input between SIN- (X13/7) and SIN+ (X13/8).

** Limit frequency = 1MHz for Compax3M (higher bandwidths on request)

*** Digital, bidirectional interface

Motor holding brake output

Motor holding brake output	Compax3
Voltage range	21 – 27VDC
Maximum output current (short circuit proof)	1.6A

Safety technology Compax3S

Safe torque-off in accordance with EN ISO 13849: 2008, Category 3, PL d/e Certified. Test mark IFA 1003004	<ul style="list-style-type: none"> ◆ For implementation of the “protection against unexpected start-up” function described in EN1037. ◆ Please note the circuitry examples.
---	---

Compax3S STO (=safe torque off)

Nominal voltage of the inputs	24 V
Required isolation of the 24V control voltage	Grounded protective extra low voltage, PELV
Protection of the STO control voltage	1 A
Grouping of safety level	<500 000 STO cycles per year are assumed. ◆ STO switch-off via internal safety relay & digital input: PL e, PFHd=2.98E-8 ◆ STO switch-off via internal safety relay & fieldbus: PL d, PFHd=1.51E-7 (is applicable for a MTTFd=15 years of the external PLC) ◆ Lifetime: 20 Years

UL certification for Compax3S

conform to UL:	◆ according to UL508C
Certified	◆ E-File_No.: E235342

The UL certification is documented by a "UL" logo on the device (type specification plate).

“UL” logo:



Insulation requirements

Enclosure rating	Protection class in accordance with EN 60664-1
Protection against human contact with dangerous voltages	In accordance with EN 61800-5-1
Overvoltage category	Voltage category III in accordance with EN 60664-1
Degree of contamination	Degree of contamination 2 in accordance with EN 60664-1 and EN 61800-5-1

Environmental conditions Compax3S and Compax3H

General ambient conditions	In accordance with EN 60 721-3-1 to 3-3 Climate (temperature/humidity/barometric pressure): Class 3K3	
Permissible ambient temperature:		
Operation storage transport	0 to +45 °C class 3K3 -25 to +70 °C class 2K3 -25 to +70 °C class 2K3	
Tolerated humidity:	no condensation	
Operation storage transport	<= 85% class 3K3 <= 95% class 2K3 <= 95% class 2K3	(Relative humidity)
Elevation of operating site	<=1000m above sea level for 100% load ratings <=2000m above sea level for 1% / 100m power reduction please inquire for greater elevations	
Mechanic resonances:	EN 60068-2-6 (sinusoidal excitation)	
Sealing	Protection type IP20 in accordance with EN 60 529	

Cooling Compax3S and Compax3H

Cooling mode:	C3S025V2 ... S150V4: Convection C3S300V4 & C3H: Forced air ventilation with fan in the heat dissipator Air flow rate: 459m ³ /h (C3H)
Supply:	C3S300V4, C3H050, C3H090 internal C3H125, C3H155 external 220/240VAC: 140W, 2.5µF, Stator - 62Ω Optionally on request: 110/120VAC: 130W, 10µF, Stator - 16Ω Circuit breaker: 3A

EMC limit values Compax3S and Compax3H

EMC interference emission	Limit values in accordance with EN 61 800-3, Limit value class C3/C4 without additional mains filter: Information on C2 limit value classes (see on page 12)
EMC disturbance immunity	Industrial area limit values in accordance with EN 61 800-3

EC directives and applied harmonized EC norms

EC low voltage directive 2006/95/EG	EN 61800-5-1 , Standard for electric power drives with settable speed; requirements to electric safety EN 60664-1 , isolation coordinates for electrical equipment in low-voltage systems EN 60204-1 , machinery norm partly applied
EC-EMC-directive 2004/108/EC	EN 61800-3 , EMC standard Product standard for variable speed drives

Detailed information on the technical data of the Compax3 devices can be found in the Help- or PDF-files of the individual Compax3 device types.

5. Index

A

Additional conditions of utilization • 13
Analogue / encoder (plug X11) • 34
Assignment of the X22 connector • 36

B

Braking resistor • 28
Braking resistor / high voltage DC C3S connector X2 • 28
Braking resistor / high voltage supply connector X2 for 3AC
400VAC/480VAC_C3S devices • 29
Braking resistor / high voltage supply plug X2 for 1AC
230VAC/240VAC devices • 28
Braking resistor / high voltage supply plug X2 for 3AC
230VAC/240VAC devices • 28

C

C3 ServoManager • 4
Capacitors • 8
Compax3 device description • 17
Compax3S connectors • 22
Compax3Sxxx V2 • 27
Compax3Sxxx V4 • 29
Conditions of utilization • 12
Conditions of utilization for cables / motor filter • 12
Conditions of utilization for CE-conform operation • 12
Conditions of utilization for UL certification Compax3S • 14
Conditions of utilization mains filter • 12
Connection between PC and Compax3 • 4
Connection of a braking resistor • 28, 30
Connection of the digital Outputs/Inputs • 35
Connection of the power voltage of 2 C3S 3AC devices • 30
Connections of Compax3S • 22
Connections of digital inputs and outputs M10 & M12 • 36
Connections of the encoder interface • 34
Connector and pin assignment C3S • 23
Connector assignment Option M21 X20 • 37
Connector assignment Option M21 X21 • 38
Control voltage 24 VDC • 25
Control voltage 24VDC / enable connector X4 C3S • 25
Current on the mains PE (leakage current) • 15

D

Digital input/output option M12 (I12) • 36
Digital inputs/outputs • 35
Digital inputs/outputs (Stecker X12) • 35

E

EC declaration of conformity • 16

F

Ferrite • 26

G

General hazards • 9
Gerätezuordnung • 6

I

Introduction • 6

L

LEDs • 17
Level • 35

M

M21 analog input option • 37
Main voltage supply C3S connector X1 • 27
Meaning of the status LEDs - Compax3 axis controller • 17
Motor / Motor brake C3S connector X3 • 26
Motor Connection • 26
Motor holding brake • 26
Mounting and dimensions • 18
Mounting and dimensions Compax3S0xxV2 • 18
Mounting and dimensions Compax3S100V2 and S0xxV4 •
19
Mounting and dimensions Compax3S150V2 and S150V4 •
20
Mounting and dimensions Compax3S300V4 • 21

N

Notes on the Documents Supplied • 3

O

Optional input/output cards • 36

P

Packaging, transport, storage • 8
Plug assignment Compax3S0xx V2 • 25, 26, 27, 28, 31, 32
Power supply • 27
Power supply connector X1 for 3AC 400VAC/480VAC-C3S
devices • 29
Power supply plug X1 for 1 AC 230VAC/240VAC devices •
27
Power supply plug X1 for 3AC 230VAC/240VAC devices •
27

R

Resolver • 32
Resolver / Feedback (connector X13) • 32
RS232 / RS485 interface (plug X10) • 31
RS232 plug assignment • 31
RS485 plug assignment • 31

S

Safety instructions • 9
Safety-conscious working • 9
Scope of delivery • 6
Signal interfaces • 31
Special safety instructions • 10
State of delivery • 17
Status LEDs • 17
Storage • 8
Supply networks • 15

T

Technical Characteristics • 39
Toroidal core ferrite • 26
Type specification plate • 7

U

Usage in accordance with intended purpose • 9
USB - RS232 converter • 31

W

Warranty conditions • 11
Wiring of analog interfaces • 34
Wiring of the analog current inputs • 37
Wiring of the analog voltage inputs • 38

X

X1 • 27
X10 • 31
X11 • 34
X12 • 35
X13 • 32
X2 • 28
X3 • 26
X4 • 25