

# Series PEH

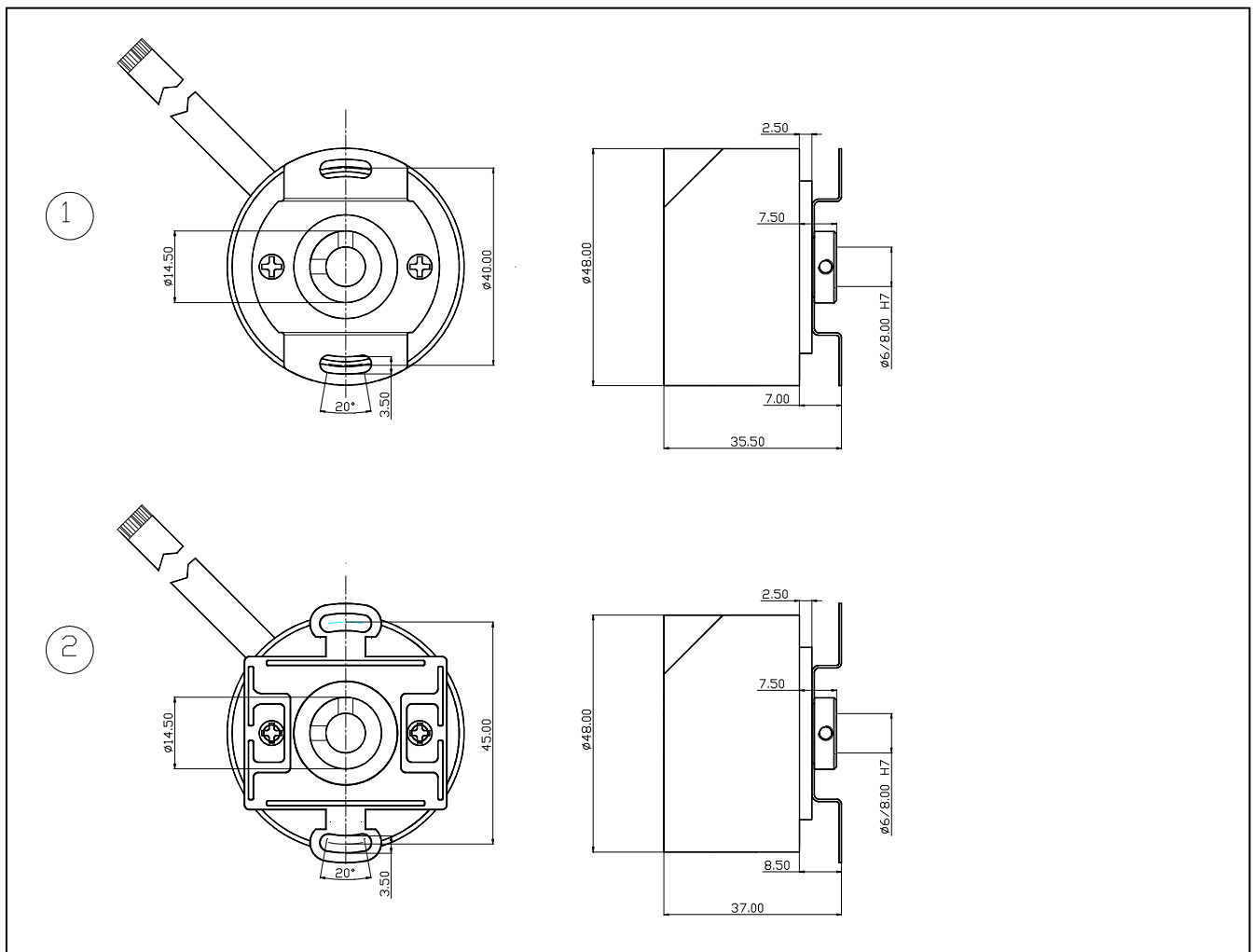
Incremental hollow shaft encoder,  
with effect Hall phases

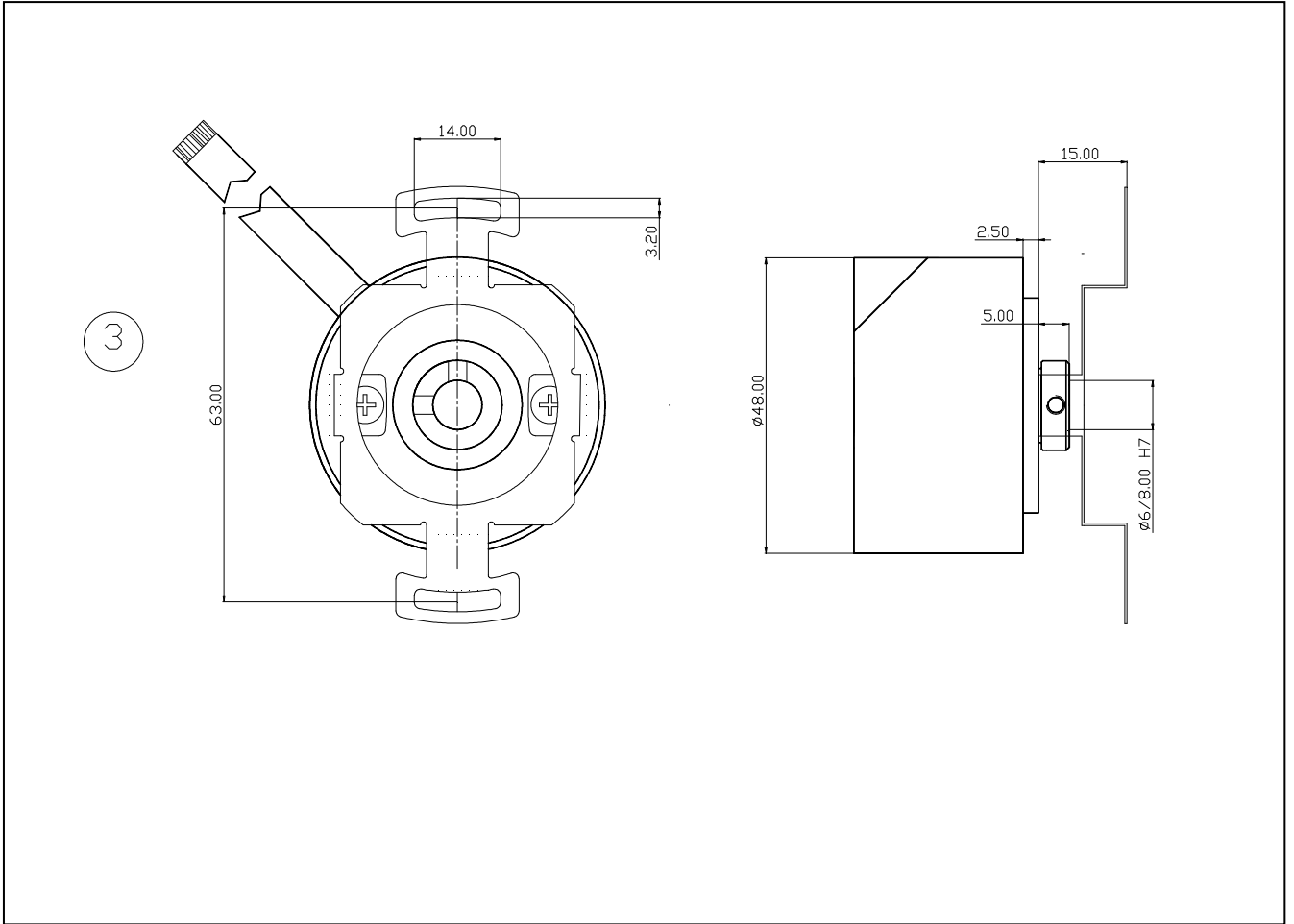
## Mechanics Data

Cover:	ABS
Body:	Aluminium
Solid shaft:	Stainless steel
Bearings:	2, ball races
Weight:	Approx. 150gr.
Protection:	IP44
Rpm:	6000 Max
Torque:	3Ncm
Inertia:	40gcm <sup>2</sup>
Shaft loading:	Axial 30N - Radial 30N



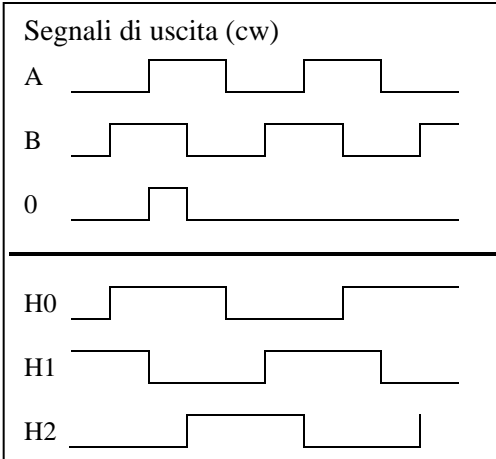
Dimensions in mm





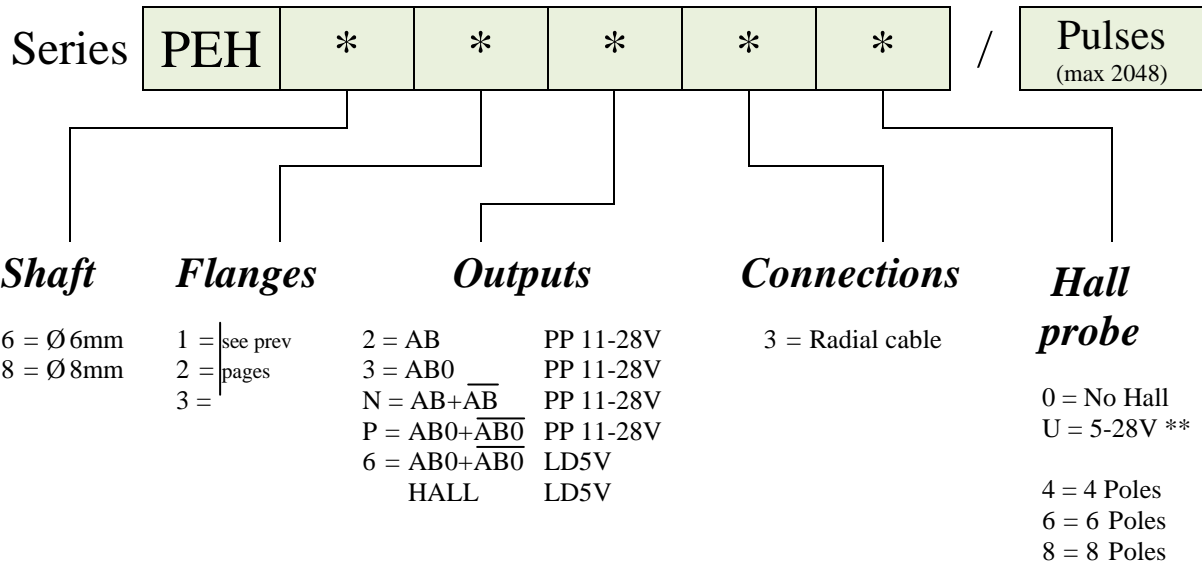
# Series PEH

## Electronics Data



Current consumption: 80mA max. With Hall phases 160mA max  
 Permissible load: 20/40mA depends on the electronics circuit  
 Frequency: up to 300KHz  
 Protections: Against short circuit, reversal polarity  
 Operating Temp.: -10/+70°C (-30° / +100° on request)

### Ordering code



\*\* = Power 5-28 V for outputs 2,3,N,P with compatibles levels output TTL · Low level output <0.5V · High level output > +VCC-1,9V

### Connection

	incremental encoder								Hall								
	-	+	A	B	A <sup>-</sup>	B <sup>-</sup>	0	0 <sup>-</sup>	H0	H1	H2	H0 <sup>-</sup>	H1 <sup>-</sup>	H2 <sup>-</sup>			
	1	2	3	4	5	6	7	8	9	10	11	12	13	14			
<b>Cable</b>	B L A C K	B L U E	B R O W N	B E I G E	G R E E N	Y E L L O W	P I N K	V I O L E T	O R A N G E	T R A N S P	Y E L L O N	G R E E N	R E D	W H I T E	B L U E	W H I T E	Y E L L O W