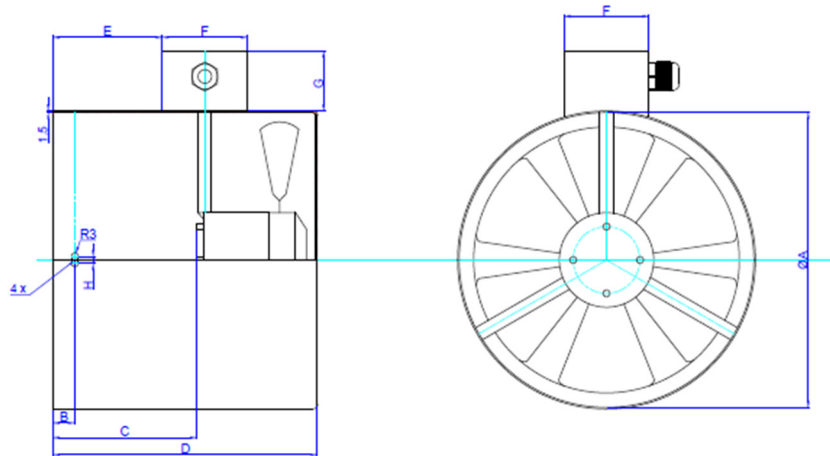




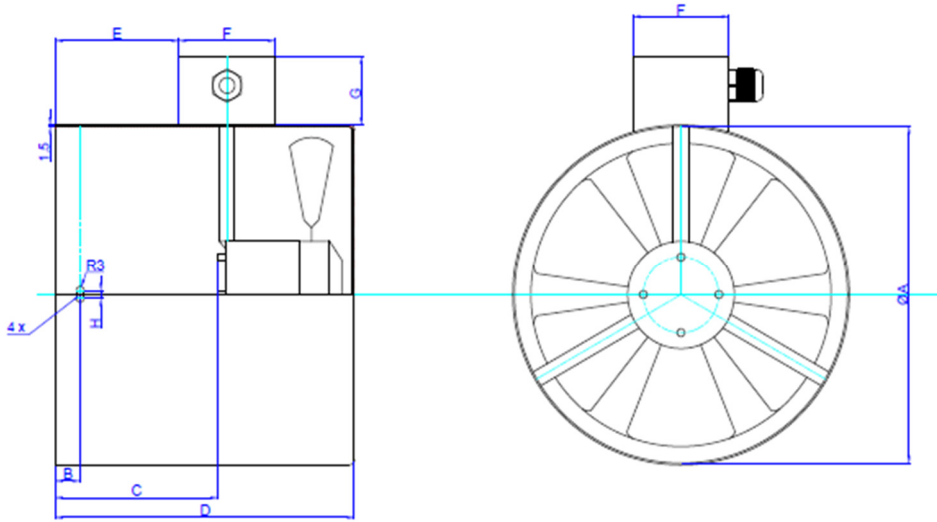
**FORCED VENTILATION FANS THREE PHASE - FV... = Cast Iron, FV...A = Aluminium**



REF	ØA	B	C	D	E	F	G	H	Additional Length over standard cowl
FV63A	118	13	48	145					85mm
FV71	140			169	49	77			
FV71A	134	13	61	145					80mm
FV80	157			183	70	77			
FV80A	153	18	90	175					100mm
FV90	180			195	72	77			
FV90A	173	20	90	175					95mm
FV100	202			200	70	77			
FV100A	193	16	82	170					85mm
FV112	223			210	74	77			
FV112A	217	22	87	175					85mm
FV132	164			229	94	77			110mm
FV132A	256	23	99	200					85mm
FV160	317			278	135	77			125mm
FV180	367	40	173	291	147	77			90mm
FV200	400	40	245	349	216	77			150mm
FV225	453	45	206	360	179	77			135mm
FV250	487	55	206	365	180	77			115mm
FV280	548	69	231	445	185	130			165mm
FV315	620	75	315	530	277	130			215mm
FV355	705	114	357	620	328	130			265mm

400V 50Hz – Three Phase						
MOTOR	SPEED (rpm)	Airflow (m3/h)	Pressure max (Pa)	Noise (dB)	CURRENT ABS (A)	POWER ABS (W)
63	2800	45	40	62	0.071	20
71	2800	52	50	62	0.076	25
80	2800	58	60	62	0.075	29
90	2800	91	80	65	0.082	32
100	2760	142	80	67	0.167	50
112	2600	229	80	67	0.171	69
132	1400	337	35	69	0.190	52
160	1390	609	40	72	0.247	70
180	1300	685	55	72	0.247	85
200	1230	1679	65	72	0.257	106
225	1455	1785	70	74	0.352	75
250	1420	1813	80	75	0.300	115
280	1360	2415	85	78	0.632	180
315	1320	2820	110	81	0.741	480
355	900	3500	800	85	0.950	400

**FORCED VENTILATION FANS SINGLE PHASE – FV... = Cast Iron, FV...A = Aluminium**



MOTOR	ØA	B	C	D	E	F	G	H	Additional Length over standard cowl
FV63A									
FV71A									
FV80A									
FV90A	180	17	102	192	71	76	47	6	
FV100A	196	15	100	200	68	74	52	6	
FV112A	231	15	110	203	75	74	52	6	
FV132A	256	19	125	230	95	74	52	6	

230V 50Hz – Single Phase							
MOTOR	SPEED (rpm)	Airflow (m3/h)	Pressure max (Pa)	Noise (dB)	CURRENT ABS (A)	POWER ABS (W)	Capacitor µF
63	2800	45	40	62	0.12	17	1
71	2800	52	50	62	0.17	30	2
80	2700	55	80	62	0.18	35	2
90	2300	91	80	65	0.2	45	3
100	2700	142	80	67	0.3	50	2
112	2400	229	80	67	0.37	66	2
132	1400	337	35	69	0.35	56	2